

[DAIHATSU]

MODEL	CHASSIS CODE	YEAR	ACCESSORY	PRODUCT NO.	NOTE	
ATRAI HIJET	S81V	1986-Feb.1990		702	Note4	
	S80/100	Mar.1990-Mar.1994		704	Note4	
	S100	Apr.1994-Jan.1999		702	Note4	
	S200	Jan.1999-			534	Note8
			SRS (Mechanical)		534	Note2.8
			SRS (Electrical)		709	Note2.8
	S320/330		SRS		539	Note8
S321/331		SRS		541	Note8	
ATRAI WAGON	S220G/230G	Jun.1999-		707	Note8	
			SRS		709	Note2.8
	300	May.2005-	SRS		539	Note8
ATRAI-7	S221/231	Jan.2001-	SRS		709	Note8
APPLAUSE	A100	Jul.1989-		522	Note8	
ALTIS	40	Jan.2006-	SRS		TBD	
ESSE	L235/245	Dec.2005-	SRS		539	Note8
OPTI CLASSIC	L300	Feb.1992-Dec.1995		704		
		Jan.1996-Oct.1998		707	Note8	
			SRS		708	Note2.8
	L800	Oct.1998-	SRS		709	Note2.8
COO	M400	May.2006-	SRS		539	Note8
COPEN	L880	Jun.2002-	SRS		709	Note2.8
CHARADE	G30	1983-Feb.1988		704		
	G100	Feb.1988-Jan.1993		522	Note8	
	G200	Jan.1993-		707	Note8	
			SRS		708	Note2.8
STORIA	M100/110	Feb.1998-	SRS		709	Note2.8
SONICA	L405/415	Jun.2006-	SRS		541	Note8
TANTO	L350/360	Nov.2003-Nov.2007	SRS		539	Note8
	L370/380	Dec.2007-	SRS		541	Note*.8
TERIOS	100/120	Apr.1997-		707	Note8	
			SRS		708	Note2.8
TERIOS KID LUCIA	J111G/131G	Oct.1998-	SRS		709	Note*.2.8
NAKED	L750S/760S	Nov.1999-		707	Note8	
			SRS		709	Note2.8
PYZAR	G300	Aug.1996-		707	Note8	
			SRS		708	Note2.8
BE-GO	J200	Jan.2006-	SRS		539	Note8
BOON	M300	Jun.2004-	SRS		539	Note8
BOON LUMINAS	M500/510	Dec.2008-	SRS		541	Note*.6.8

*Note: Regardless of the make and model of the vehicle, there are cases that compatible product number is different among the same model with the same year, because of the variation of the factory parts. Before installing this product, please compare the back of your steering wheel and the configuration of the boss kit, and see if they fit. Also, for the air bag indicator, some of the vehicles cannot be lighted off, or even if it could, it may light on later.

[DAIHATSU]

MODEL	CHASSIS CODE	YEAR	ACCESSORY	PRODUCT NO.	NOTE
MAX	L950	Nov.2001-	SRS	709	Note2
MIRA	L55	-Feb.1990		702	Note4
	L70	Mar.1990-Aug.1993		704	Note4
	L200	Feb.1990-May.1994		704	Note4
	L500	Sep.1994-Oct.1998		707	
			SRS	708	Note2
	L700	Oct.1998-Nov.2002		707	
			SRS	709	Note2
	L250/260	Dec.2002-Nov.2006	SRS	539	
L275/285	Dec.2006-	SRS	541		
MIRA GINO	L650/660	Nov.2004-	SRS	539	
MIDGET II	K100	May.1996-		702	Note5
MOVE	L600	Sep.1995-Oct.1998		707	
			SRS (Mechanical)	707	Note2.3
			SRS (Electrical)	708	Note2
	L900	Nov.1998-Sep.2002	SRS	709	
	L150/160	Oct.2002-Sep.2006	SRS	539	
	L175/185	Oct.2006-	SRS	541	Note8
MOVE LATTE	L550/560	Aug.2004-	SRS	539	Note8
MOVE CONTE	L575/585	Aug.2008-	SRS	541	Note*.8
RUGGER	F70	Sep.-1985-	Shaft diameter Ø 14.8	FINISHED	Note1
			Shaft diameter Ø 15.8	534	Note1.8
LEEZA	L100	1986-Feb.1990		702	
		Mar.1990-		704	
ROCKY	F300G	Jun.1990-	Shaft diameter Ø 14.8	FINISHED	Note1
			Shaft diameter Ø 15.8	534	Note1.8
YRV	M200	Sep.2000-	SRS	709	Note2.8

*Note: Regardless of the make and model of the vehicle, there are cases that compatible product number is different among the same model with the same year, because of the variation of the factory parts. Before installing this product, please compare the back of your steering wheel and the configuration of the boss kit, and see if they fit. Also, for the air bag indicator, some of the vehicles cannot be lighted off, or even if it could, it may light on later.

[DAIHATSU]

Regardless of the make and model of the vehicle, there are cases that compatible product number is different among the same model with the same year, because of the variation of the factory parts. Before installing this product, please compare the back of your steering wheel and the configuration of the boss kit, and see if they fit. Also, for the air bag indicator, some of the vehicles cannot be lighted off, or even if it could, it may light on later.

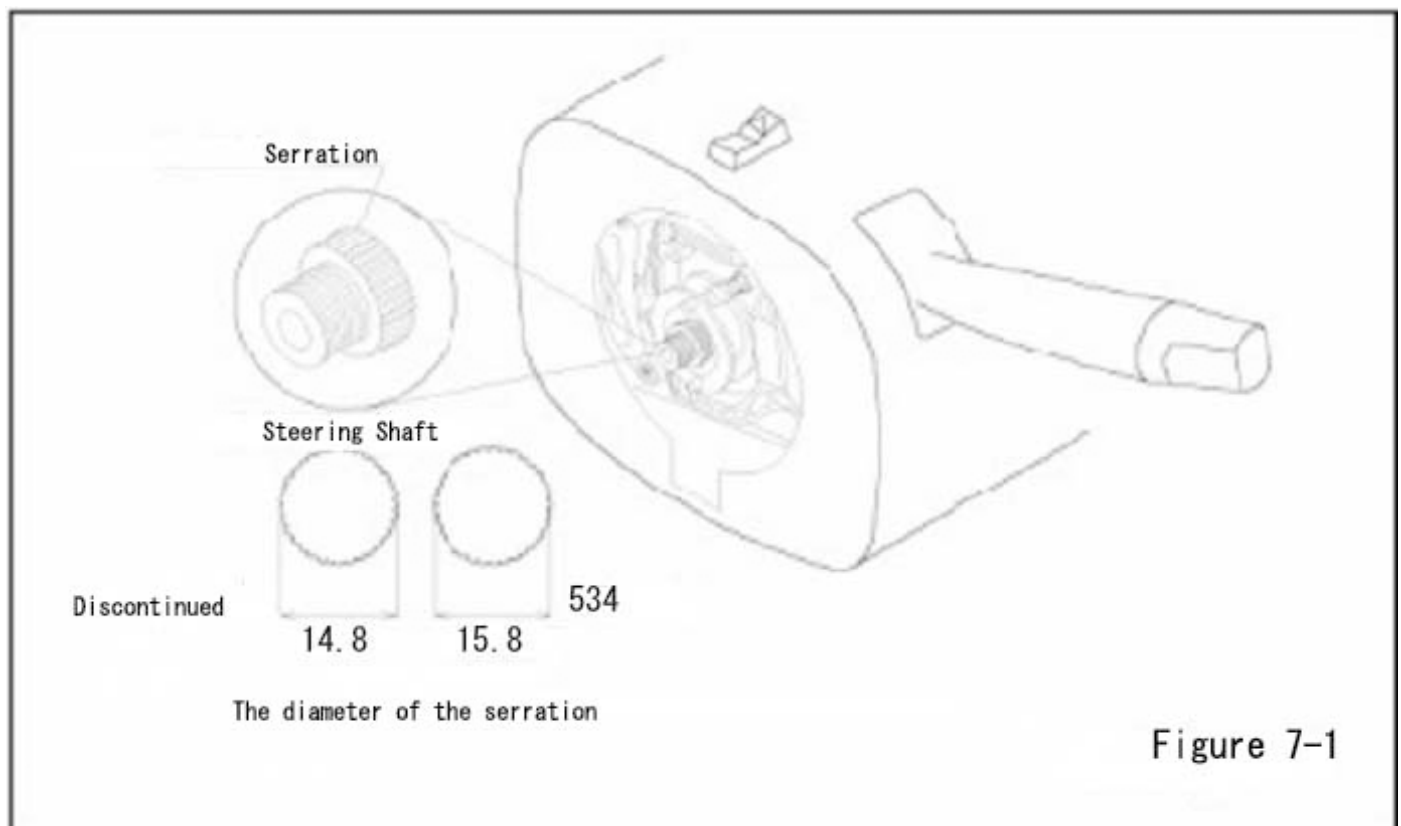
•We strongly recommend requesting the installation to professionals.

- Note* The compatibility is for the vehicle made before April 2009. Please inquiry us for vehicles made after April 2009.
- Note1 There are two different kinds of steering shaft for this vehicle model.
If the diameter of serration in the steering shaft is $\text{Ø} 14.8$, the boss kit is discontinued.
If the diameter of serration in the steering shaft is $\text{Ø} 15.8$, the boss kit is #534. (Figure 7-1)
- Note2 If there is no SRS indicator in the meter, it is mechanical; And, if there is a SRS indicator, it is electrical.
- Note3 The boss kit cannot be installed on some vehicles. Please contact us for details.
- Note4 The configuration of the steering shaft may be different. Please confirm the configuration of the center shaft.
Taper Type= #702 Straight Type= #704 (Figure7-2)
- Note5 If the diameter of serration in the steering shaft is $\text{Ø} 15.8$, the boss kit should be #534. (Figure 7-1)
- Note6 All the functions on the steering except the horn will be disabled.
- Note7 The configuration of horn coupler may be different on some vehicles. It is necessary to process the horn coupler.
- Note8 The length of the steering shaft fitting in the serration may be short. Please fix the boss kit with the center nut tightened by fixed torque. (Figure7-4)

Equipment Explanation

SRS

Air bag



*Note: Regardless of the make and model of the vehicle, there are cases that compatible product number is different among the same model with the same year, because of the variation of the factory parts. Before installing this product, please compare the back of your steering wheel and the configuration of the boss kit, and see if they fit. Also, for the air bag indicator, some of the vehicles cannot be lighted off, or even if it could, it may light on later.

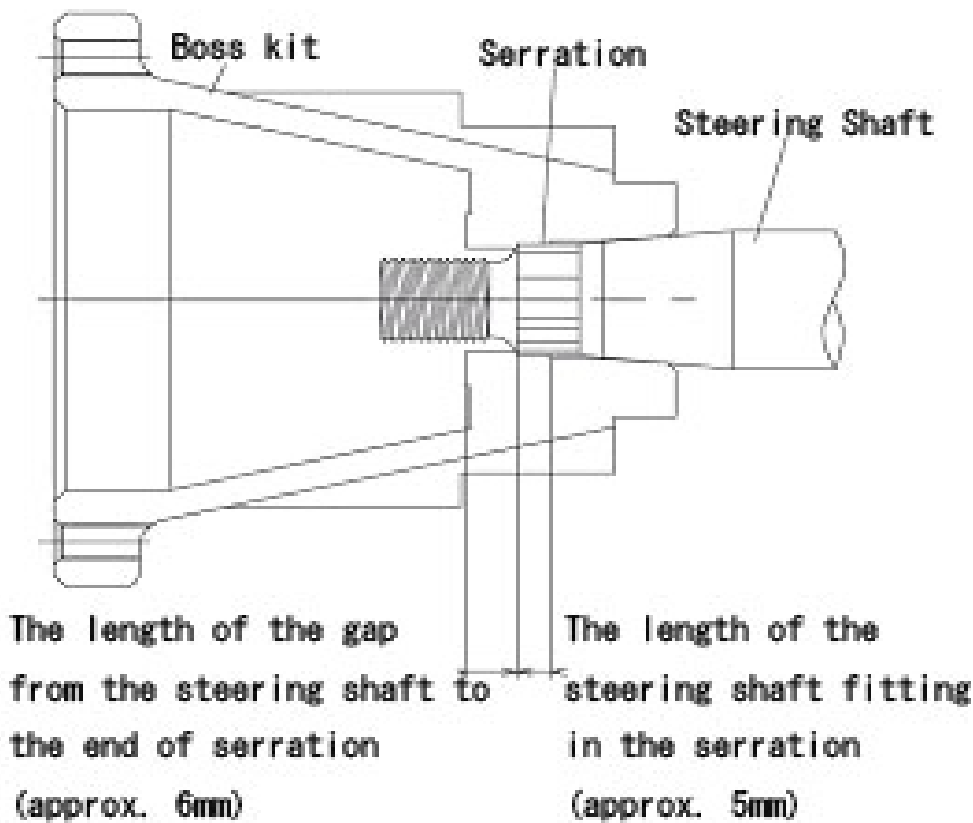
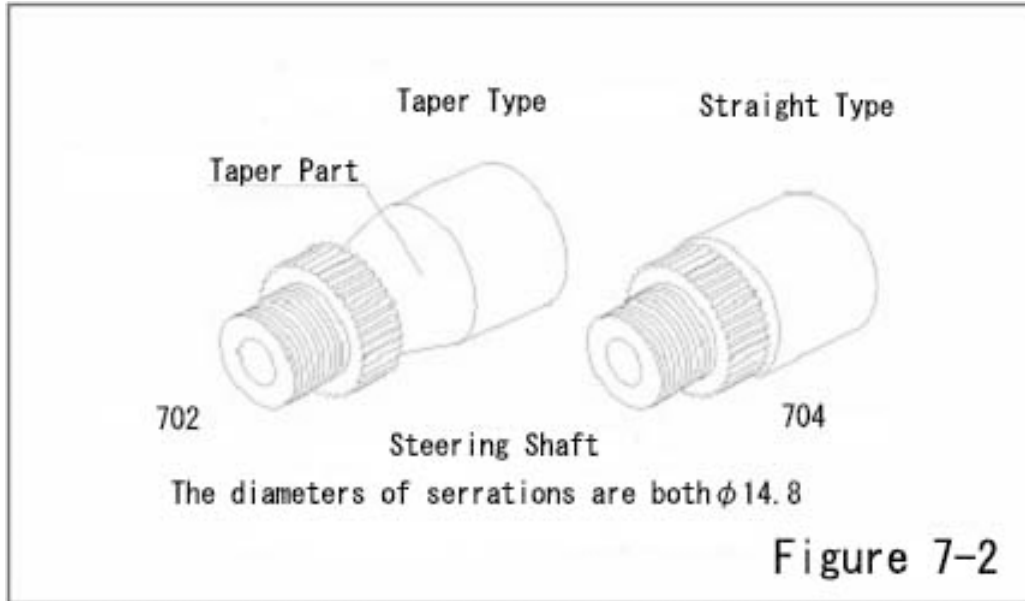


Figure 7-3

*Note: Regardless of the make and model of the vehicle, there are cases that compatible product number is different among the same model with the same year, because of the variation of the factory parts. Before installing this product, please compare the back of your steering wheel and the configuration of the boss kit, and see if they fit. Also, for the air bag indicator, some of the vehicles cannot be lighted off, or even if it could, it may light on later.