

[NISSAN]

MODEL	CHASSIS CODE	YEAR	ACCESSORY	PRODUCT NO.	NOTE
AVENIR SALUT	W10	May.1990-1995		602	Note8
		Jan.1995-		620	Note8
			Single SRS	623	Note3
	Dual SRS	623	Note3		
	W11	Aug.1998-	SRS	623	Note3. 9
INFINITI	G50	Nov.1989-May.1993	SRS	623	Note10
		Jun.1993-	SRS	N/A	
WINGROAD	Y10	May.1996-May.1999	SRS	628	Note3
	Y11	Jun.1999-	SRS	629	Note19
	Y12	Nov.2005-	SRS	631	
EXPERT	W11	Jun.1999-		620	
			SRS	623	Note3.9
X-TRAIL	T30	Oct.2000-Jul.2007	SRS	629	Note3. 10
	T31	Aug.2007-	SRS	631	
S-CARGO	G20	Jan.1989-Jan.1990		602	
AD WAGON AD VAN	B11	1981-Sep.1990		602	
	Y10	Oct.1990-Aug.1993		602	
		Sep.1993-		620	Note8
			SRS	623	Note3
	Y11	Jun.1999-		TBD	
		SRS	623	Note9	
ELGRAND	E50	May.1997-Jul.2000	SRS	625	Note3.13
		Aug.2000-	SRS	629	
	E51	May.2002-	SRS	631	
AUSTER STANZA	A10/11	1977-May.1986		601	
	T12	Jun.1986-May.1990		602	
OTTI	H91W/92W	Jun.2005-	SRS	817	
CLIPPER	70	Oct.2003-	SRS	817	
CARAVAN HOMY WAGON/VAN	E20-23	1973-1985		601	
	E24	1986-1995		602	
			Radio Control Button	612	
		ASCD	612		
		1995-		620	Note8
			SRS	623	Note3.9
	E25	Jul.2001-	Non-air bag	629	
SRS			629		
CUBE	Z10	Feb.1998-Sep.2002	SRS	623	Note3.9
	Z11	Oct.2002-Apr.2003	SRS	632	
		May.2003-Oct.2008	SRS	631	Note12
			SRS	632	Note12
	Z12	Nov.2008	SRS	633	

*Note: Regardless of the make and model of the vehicle, there are cases that compatible product number is different among the same model with the same year, because of the variation of the factory parts. Before installing this product, please compare the back of your steering wheel and the configuration of the boss kit, and see if they fit. Also, for the air bag indicator, some of the vehicles cannot be lighted off, or even if it could, it may light on later.

[NISSAN]

MODEL	CHASSIS CODE	YEAR	ACCESSORY	PRODUCT NO.	NOTE
CREW	K30	1994-Dec.1994		602	
		Feb.1995-		620	
			SRS	623	Note3.9
SUNNY NX COUPE LUCINO	B310	1977-1981		601	
	B11	1981-1984		602	
	B12	1984-Dec.1989		602	
	B13	Jan.1990-Dec.1993		602	
			ASCD	612	
			With Electrical Control Suspension	619	Note1
	B14	Jan.1994-Sep.1998		620	Note8
SRS			623	Note3	
B15	Oct.1998-	SRS	623	Note3.9	
SUNNY TRUCK	122			600	
SUNNY CALIFORNIA	Y10	Oct.1990-1993		602	
		1994-		620	Note8
			SRS	628	Note3
SAFARI	160	1980-1987		601	
	Y60	1987-Sep.1997		602	
			SRS	623	Note3
	Y61	Oct.1997-	SRS	623	Note3.9
CIMA	Y31	1988-Sep.1991	Center Pad Rotation	615	Note1.7.10
			Center Pad Irrotation	CUSTOM	Note5.10
	Y32	Sep.1991-Jun.1996	Radio Control Button	621	Note10
			SRS	625	Note3.10
	Y33	Jul.1996-Dec.2000	SRS	625	Note3.9.10
F50	Jan.2001-	SRS	TBD		
SILVIA	S110	1979-1983		601	
	S12	1983-1988		602	
	S13	1988-Sep.1993		602	
			Super HICAS	616	
	S14	Oct.1993-May.1995		620	Note8
			Super HICAS	622	
		Jun.1995-Feb.1999	Single SRS	623	Note3.13
Dual SRS	625		Note3.13		
S15	Feb.1999-	SRS	629		
STAGEA	C34	Sep.1996-Jul.1998	SRS	623	Note3.13
		Aug.1998-Sep.2001	SRS	629	
			SRS/Shift Matic	629	
	M35	Oct.2001-	SRS	631	

*Note: Regardless of the make and model of the vehicle, there are cases that compatible product number is different among the same model with the same year, because of the variation of the factory parts. Before installing this product, please compare the back of your steering wheel and the configuration of the boss kit, and see if they fit. Also, for the air bag indicator, some of the vehicles cannot be lighted off, or even if it could, it may light on later.

[NISSAN]

MODEL	CHASSIS CODE	YEAR	ACCESSORY	PRODUCT NO.	NOTE	
SKYLINE	C10	1970-1975		601		
	C110	1975-1979		N/A		
	C210	1979-1981		601	Note6	
	R30	1982-1984		601	Note2	
	R31		1985-1986		602	
			1986-Jul.1989		602	
	R32		Aug.1989-Aug.1993		602	
				ASCD	612	
				Optional SRS	623	Note11
			Aug.1989-Jul.1991 (Pre-facelift model)	Super HICAS	616	
				ASCD/Super HICAS	617	
				Aug.1991-Aug.1993 (Post-facelift model)	Super HICAS	616
	R33		Sep.1993-1995	ASCD/Super HICAS	617	
				Optional SRS	623	Note14
					620	Note8
			1995-Jan.1996	Super HICAS	622	
ASCD				621		
Jan.1996-May.1998	Single SRS	623	Note3			
	Dual SRS	623	Note3			
R34		May.1998-	SRS	623	Note3	
V35		Jun.2001-Oct.2006	SRS	629		
V36		Nov.2006-	SRS	631		
GT-R	R35	Dec.2007-	SRS	633	Note*.3	
CEFIRO	A31	1988-Jul.1994		602		
			ASCD	612		
			Duet SS	615	Note1	
			ASCD/Duet SS	615	Note1	
	A32		Aug.1994-	SRS	623	Note3
A33		Dec.1998-	SRS	629	Note11.17	
		Aug.2001-	SRS	631		
CEFIRO WAGON	A32	Jun.1997-	SRS	633	Note3.9	
CEDRIC GLORIA WAGON/VAN	Y30	1983-Oct.1986		601		
		Nov.1986-1993	Telescopic	601	Note2	
				602		
		1993-Dec.1996		620		
		Jan.1997-	SRS	623	Note3.9.10	
SERENA	C23	May.1994-Jul.1995		620	Note8	
			Super HICAS	622		
			Aug.1995-Jun.1999	SRS	623	Note3
	C24		Jun.1999-Apr.2005	SRS	629	Note11
	C25		May.2005-	SRS	631	

*Note: Regardless of the make and model of the vehicle, there are cases that compatible product number is different among the same model with the same year, because of the variation of the factory parts. Before installing this product, please compare the back of your steering wheel and the configuration of the boss kit, and see if they fit. Also, for the air bag indicator, some of the vehicles cannot be lighted off, or even if it could, it may light on later.

[NISSAN]

MODEL	CHASSIS CODE	YEAR	ACCESSORY	PRODUCT NO.	NOTE
CEDRIC GLORIA	Y30	1983-1987		601	
	Y31	1987-Jun.1991		602	
			ASCD	N/A	
			Center Pad Irrotation	CUSTOM	Note5
	Y32	Jul.1991-Jun.1995		620	Note8
			Super HICAS	622	
			Air Conditioner/Radio Control Button	621	
			ASCD	621	
			Optional SRS	UNCLEAR	
	Y33	Jun.1995-Jul.1999	Single SRS	623	Note3.10.13
			Dual SRS	625	Note3.10.13
Y34	Jul.1999-Apr.2003	SRS	629	Note10	
		ASCD/SRS	TBD		
DATSUN PICKUP TRUCK	C720	1979-Jul.1985		601	
	CD21/22	Aug.1985-Jul.1995		602	
		Aug.1995-		620	
			Optional SRS	623	Note3.9
TEANA	J31	Feb.2003-	SRS	631	
TIIDA LATIO	C11	Sep.2004-	SRS	631	
TINO	HV10	Dec.1998-	SRS	629	
TERRANO REGULUS	D21	Nov.1986-Sep.1995	Telescopic	601	
				602	
			ASCD	612	
	R50	Sep.1995-	SRS	623	Note3.9
DUALIS	J10	May.2007-	SRS	631	
NOTE	E11	Jan.2005-	SRS	631	
PULSAR EXA LANGLEY SR-V	N12/13	1982-Aug.1990		602	
	N14	Sep.1990-Dec.1994		618	
	N15	Jan.1995-Aug.1997	SRS	623	Note3
		Sep.1997-	Dual SRS	623	Note3.9
VANETTE LARGO	C120~22	1978-Apr.1994	Telescopic	601	Note2
				602	
VANETTE SERENA	C23	May.1991-Apr.1994		602	Note8
			Super HICAS	616	
VANETTE	SS28	May.1994-		902	

*Note: Regardless of the make and model of the vehicle, there are cases that compatible product number is different among the same model with the same year, because of the variation of the factory parts. Before installing this product, please compare the back of your steering wheel and the configuration of the boss kit, and see if they fit. Also, for the air bag indicator, some of the vehicles cannot be lighted off, or even if it could, it may light on later.

[NISSAN]

MODEL	CHASSIS CODE	YEAR	ACCESSARY	PRODUCT NO.	NOTE
PINO	HC24	Jan.2007-	SRS	414	Note*
FUGA	Y50	Oct.2004-	SRS	TBD	
PRIMERA CAMINO 5dr WAGON	P10	Jun.1990-Nov.1994		602	
		Dec.1994-Aug.1995		620	Note8
			SRS	623	Note3.17
	P11	Sep.1995-	SRS	623	Note3.9.17
	P12	Jan.2001-	SRS	629	Note17
FAIRLADY Z	S130	1978-1983		601	
	Z31	Sep.1983-		602	
			ASCD	N/A	
	Z32	Jul.1989-Dec.1994		602	
			ASCD	612	
			Super HICAS	616	
			ASCD/Super HICAS	617	
			Jan.1995-Jun.2002	Single SRS	623
	Dual SRS	625		Note3.9	
	Z33	Jul.2002-Nov.2008	SRS	631	
Z34	Dec.2008-	SRS	633	Note*.3	
BLUEBIRD	P510-910	1968-1983		601	
	U11	1983-1988		602	
			Duet SS	610	Note3
	U12	1988-Aug.1991		602	
			ASCD	612	
			ASCD/Duet SS	615	Note1
	U13	Sep.1991-Dec.1994		618	
		Jan.1995-Dec.1995		620	Note8
	SRS		623	Note3	
U14	Jan.1996-Jul.2000	SRS	623	Note3.9	
BLUEBIRD SYLPHY	G10	Aug.2000-May.2006	SRS	629	
	G11	Jun.2006-	SRS	631	
PRESIDENT	G50	Oct.1990-Jan.1992	SRS	N/A	
		Feb.1992-Apr.1994	SRS	N/A	
		May.1994-	SRS	N/A	
PRESEA	R10	Jun.1990-Dec.1994		602	
			ASCD	612	
			With Electrical Control Suspension	619	Note1
	R11	Jan.1995-	Single SRS	623	Note3
			Dual SRS	623	Note3.9

*Note: Regardless of the make and model of the vehicle, there are cases that compatible product number is different among the same model with the same year, because of the variation of the factory parts. Before installing this product, please compare the back of your steering wheel and the configuration of the boss kit, and see if they fit. Also, for the air bag indicator, some of the vehicles cannot be lighted off, or even if it could, it may light on later.

[NISSAN]

MODEL	CHASSIS CODE	YEAR	ACCESSORY	PRODUCT NO.	NOTE
PRAIRIE JOY LIBERTY	M10	1988-Aug.1995		602	
	M11	Sep.1995-	SRS	623	Note3
	M12	Nov.1998-	SRS	623	Note9
PRESAGE BASSARA	U30	Jun.1998-Oct.1999	SRS	623	
		Nov.1999-Jun.2003	SRS	629	
	U31	Jul.2003-	SRS	631	
MARCH CABRIOLET Be-1 PAO FIGARO	K10	1982-Dec.1991		602	
	K11	Jan.1992-Dec.1994		618	Note18
		Jan.1995-Aug.1997	Single SRS	623	
		Sep.1997-Feb.2002	Dual SRS	623	Note9
	K12	Mar.2002-Apr.2003	SRS	632	
		May.2003-	SRS	631	Note12
			SRS	632	Note12.20
MAXIMA	U11	1984-Sep.1988		610	Note1
	J30	Oct.1988-		602	
			ASCD	612	
			Duet SS	615	Note1
			ASCD/Duet SS	615	Note1
MISTRAL	R20	Jun.1994-Feb.1996		602	
		Mar.1996-	SRS	623	Note3.9
MURANO	Z50	Sep.2004-	SRS	631	
MOCO	MG21/22	Apr.2002-Jan.2006	SRS	414	
		Feb.2006-	SRS	414	
RASHEEN	B14	Dec.1994-	Single SRS	623	Note3
			Dual SRS	623	Note3.9
LARGO	W30	May.1993-Aug.1995		620	Note4
			Super HICAS	622	
		Sep.1995-	SRS	623	Note3.9
LAFESTA	B30	Dec.2004-	SRS	631	
R'NESSA	N30	Oct.1997-	SRS	623	Note3.9
LEOPARD J FARIE	F30	1980-		N/A	
	F31	-Jul.1988		615	Note1.7.15
		Aug.1988-May.1992		619	Note1.7.15
	Y32	Jun.1992-Feb.1996		N/A	Note13
	Y33	Mar.1996-	SRS	625	Note3.9

*Note: Regardless of the make and model of the vehicle, there are cases that compatible product number is different among the same model with the same year, because of the variation of the factory parts. Before installing this product, please compare the back of your steering wheel and the configuration of the boss kit, and see if they fit. Also, for the air bag indicator, some of the vehicles cannot be lighted off, or even if it could, it may light on later.

[NISSAN]

MODEL	CHASSIS CODE	YEAR	ACCESSORY	PRODUCT NO.	NOTE	
LAUREL	203-31	1980-1984		601		
	C32	1984-1985		601		
	C33	Jan.1989-Dec.1992			602	
			Radio Control Button	612		
			ASCD	612		
			Duet SS	615	Note1	
	C34	Jan.1993-Aug.1994			615	Note1
			ASCD/Duet SS	615	Note1	
		Sep.1994-May.1997			620	
			Super HICAS	622		
	C35	Jun.1997-	ASCD	621		
			SRS	623	Note3	
		SRS	629	Note10		
180SX	S13	Apr.1989-Sep.1993		602		
			Super HICAS	616		
		Oct.1993-Apr.1995		620	Note8	
			Super HICAS	622		
		May.1995-	Single SRS	623	Note3.9	
			Dual SRS	625	Note3.9	

*Note: Regardless of the make and model of the vehicle, there are cases that compatible product number is different among the same model with the same year, because of the variation of the factory parts. Before installing this product, please compare the back of your steering wheel and the configuration of the boss kit, and see if they fit. Also, for the air bag indicator, some of the vehicles cannot be lighted off, or even if it could, it may light on later.

[NISSAN]

Regardless of the make and model of the vehicle, there are cases that compatible product number is different among the same model with the same year, because of the variation of the factory parts. Before installing this product, please compare the back of your steering wheel and the configuration of the boss kit, and see if they fit. Also, for the air bag indicator, some of the vehicles cannot be lighted off, or even if it could, it may light on later.

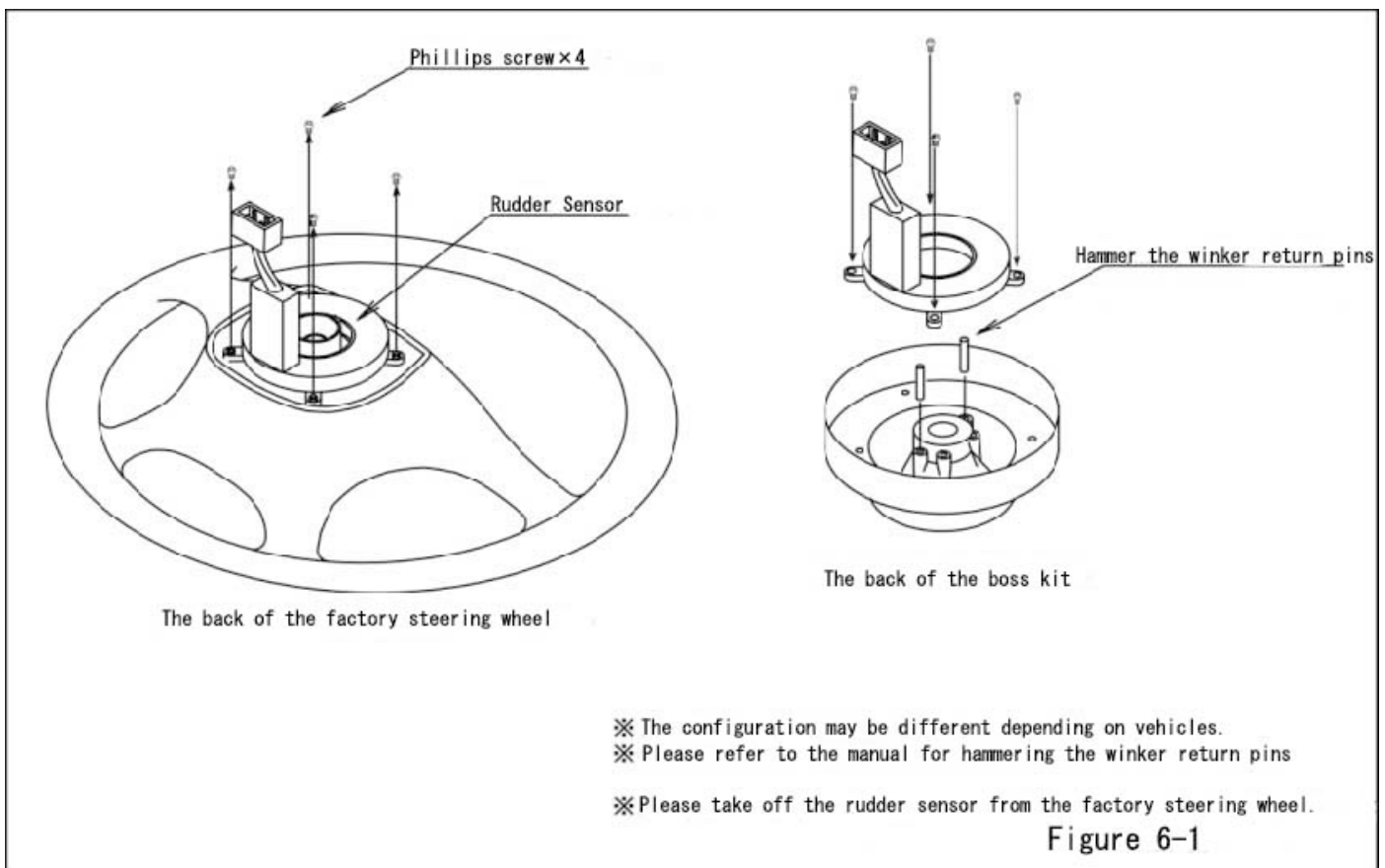
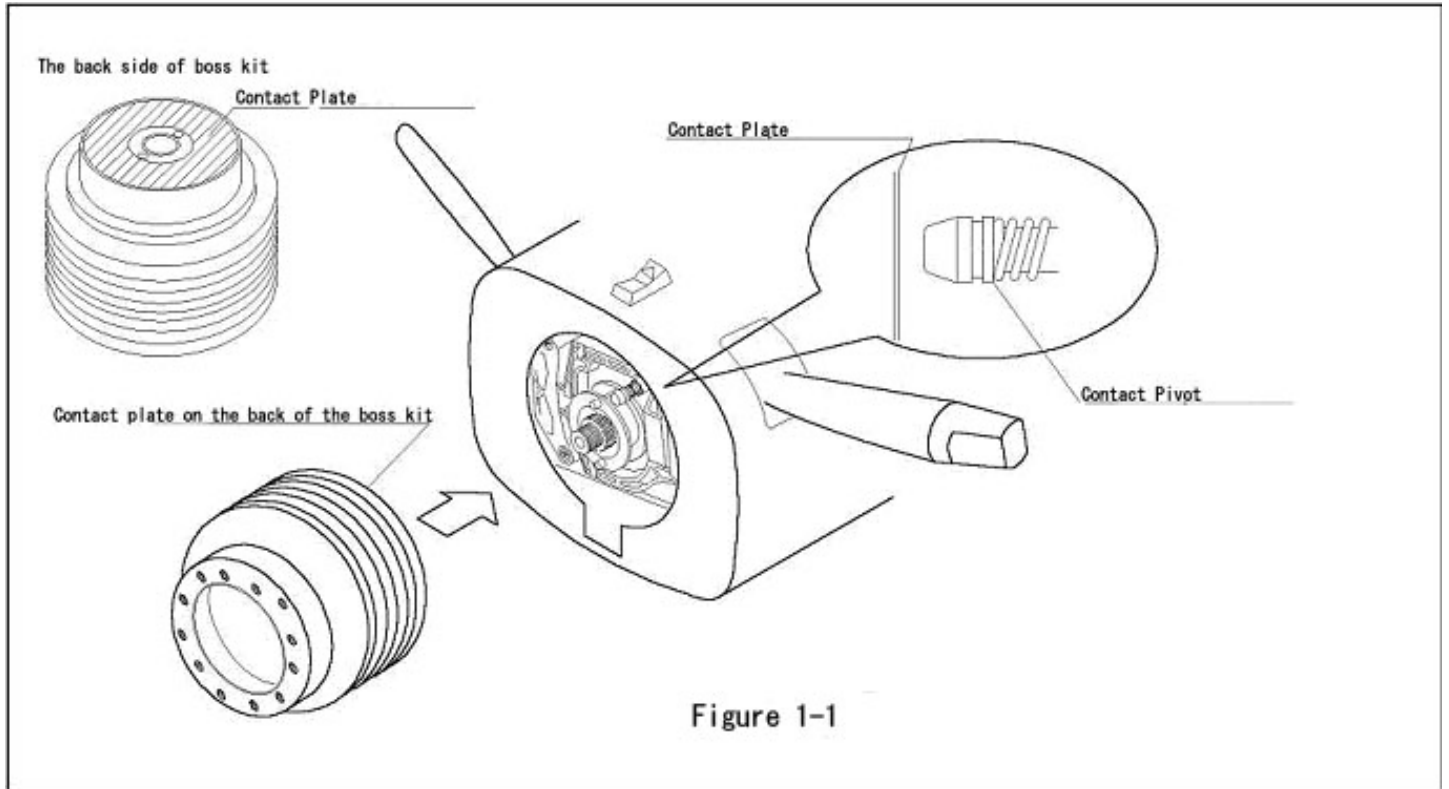
•We strongly recommend requesting the installation to professionals.

- Note* The compatibility is for the vehicle made before April 2009. Please inquiry us for vehicles made after April 2009.
- Note1 Please take the rotating sensor off from the factory steering; and install it to the boss kit. (Figure 6-1)
- Note2 Requires a boss spacer longer than 10mm.
- Note3 All the functions on the steering except the horn will be disabled
- Note4 If the horn contact pivot on the car side over-hits the contact plate on the boss kit side, please stop the installation. (Figure1-1)
- Note5 Please send the factory steering attached with sensor and pad. We will recompose and send the steering back.
- Note6 It cannot be installed on the vehicles equipped with ASCD.
- Note7 For some vehicles, it is necessary to cut the horn coupler on the factory steering wheel, and then install a horn button terminal to it. On this occasion, the ASCD function will be disabled. And, please use boss kit, #612 for the vehicles without rotation sensor.
- Note8 Boss Kit. #602 will be used for some vehicles. Please confirm the configuration of the winkle cancel on the factory steering wheel.
[Return pin on the steering side= #602 Return pin on the car side= #620 (Figure 6-3)]
- Note9 Some compatible boss kit has been changed to #629. Please confirm the shape of the bolt tightened on the airbag. (Figure 6-2)
- Note10 The boss kit cannot be installed on the VDC-equipped vehicles. (Traction Control)
- Note11 The configuration of horn coupler may be different on some vehicles. It is necessary to process the horn coupler.
- Note12 The way to tighten the steering is different. Please confirm the center shaft.
[Tightened by nut = #631 Tightened by bolt = #632]
- Note13 #623 or #625 may be used for some vehicles. Please confirm the configuration of the factory steering back. (Figure 6-4)
- Note14 The optional U-Turn Harness is necessary, but it may be unstable because of the optional SRS.
- Note15 Please confirm how many screws are tightened on the sensor. [3 pieces = #619 4 pieces = #615]
- Note16 The airbag indicator may still work on some vehicles. Please stop installation or take the indicator light bulb out.
- Note17 The configuration of the horn harness may be different on some vehicles.
[If the width of the coupler on the vehicle side is 10mm, the boss kit can be installed. However, if it is 12.6mm, the boss kit is not applicable.]
- Note18 The steering wheel may be a littler closer to the driver after the installation because this boss kit applies to various vehicles.
- Note19 Please use boss kit, #631, if the horn coupler is gray.
- Note20 Please do processing on the factory horn coupler because the horn coupler position may be different.

Equipments Explanation

ASCD	Auto Speed Control Device
SRS	Air bag
Duet SS	The vehicles with a super sonic suspension switch on the dashboard.
Super HICAS	A system of 4-wheel drive.
VDC	Vehicle Dynamics Control

*Note: Regardless of the make and model of the vehicle, there are cases that compatible product number is different among the same model with the same year, because of the variation of the factory parts. Before installing this product, please compare the back of your steering wheel and the configuration of the boss kit, and see if they fit. Also, for the air bag indicator, some of the vehicles cannot be lighted off, or even if it could, it may light on later.



*Note: Regardless of the make and model of the vehicle, there are cases that compatible product number is different among the same model with the same year, because of the variation of the factory parts. Before installing this product, please compare the back of your steering wheel and the configuration of the boss kit, and see if they fit. Also, for the air bag indicator, some of the vehicles cannot be lighted off, or even if it could, it may light on later.

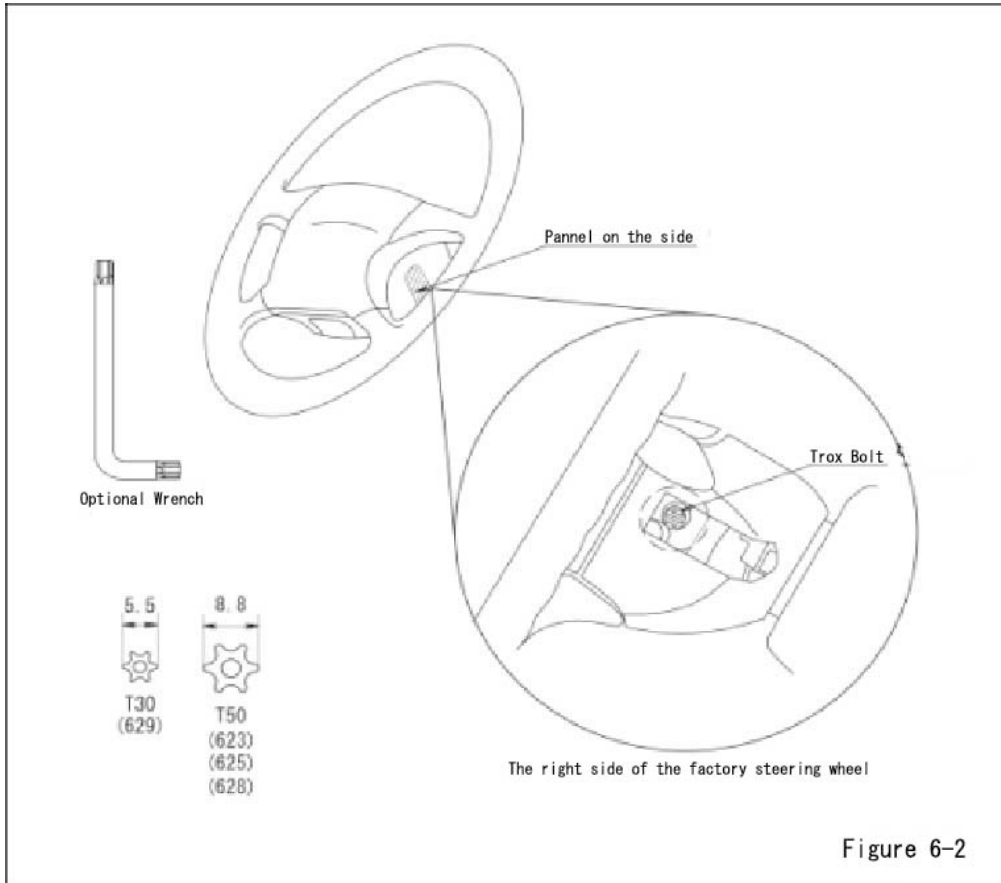


Figure 6-2

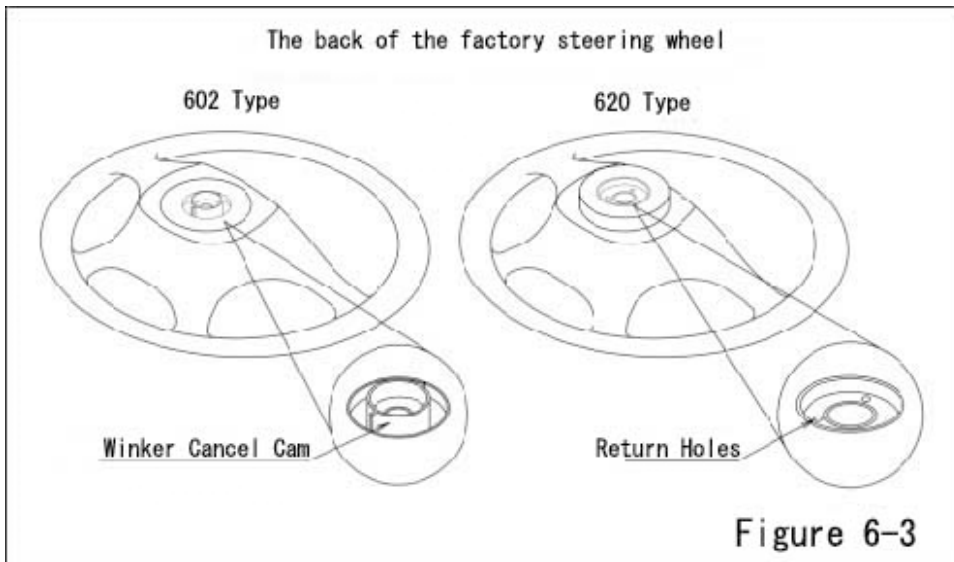
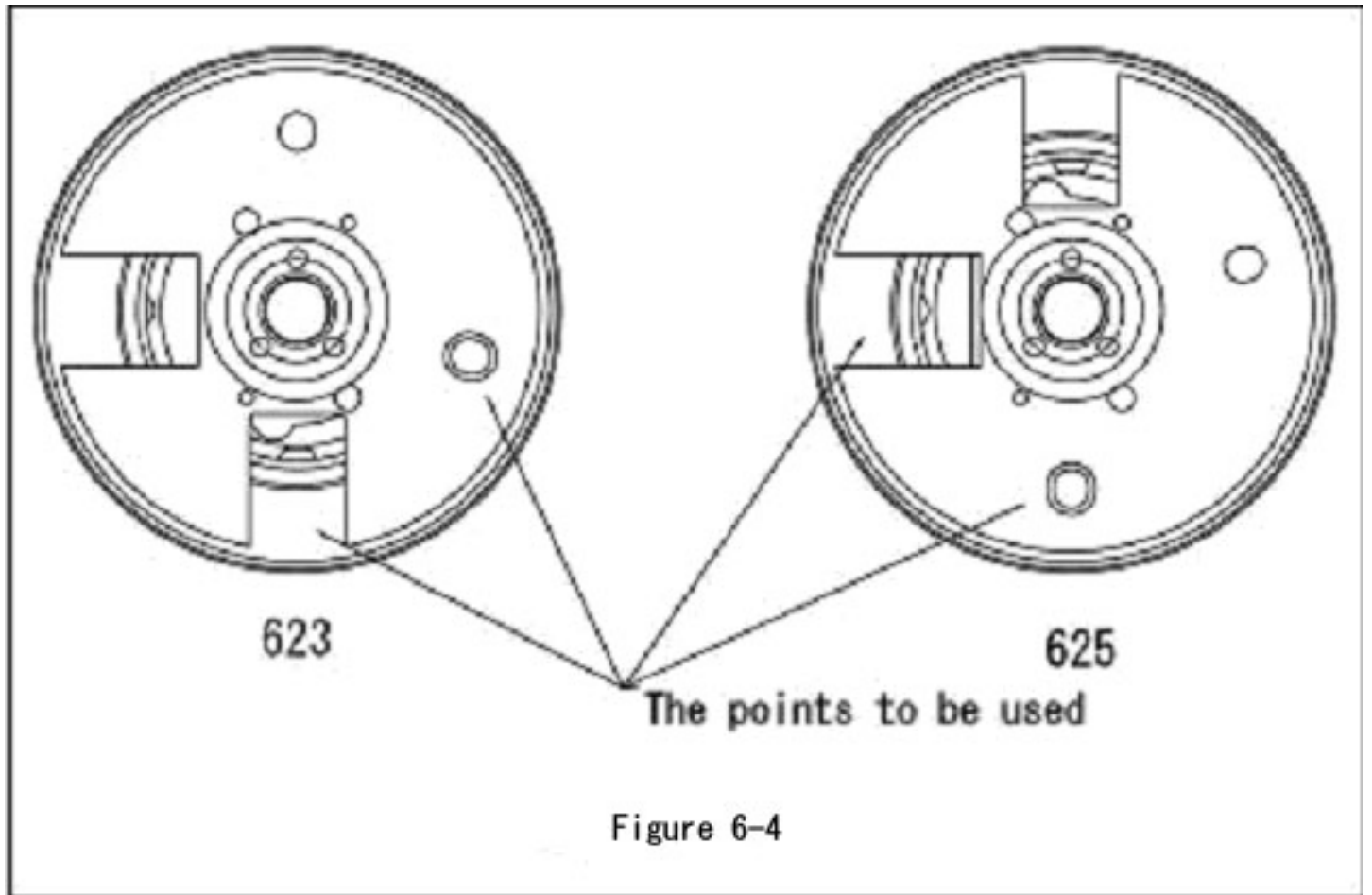


Figure 6-3

*Note: Regardless of the make and model of the vehicle, there are cases that compatible product number is different among the same model with the same year, because of the variation of the factory parts. Before installing this product, please compare the back of your steering wheel and the configuration of the boss kit, and see if they fit. Also, for the air bag indicator, some of the vehicles cannot be lighted off, or even if it could, it may light on later.



*Note: Regardless of the make and model of the vehicle, there are cases that compatible product number is different among the same model with the same year, because of the variation of the factory parts. Before installing this product, please compare the back of your steering wheel and the configuration of the boss kit, and see if they fit. Also, for the air bag indicator, some of the vehicles cannot be lighted off, or even if it could, it may light on later.