

[SUBARU]

MDOEL	CHASSIS CODE	YEAR	ACCESSORY	PRODUCT NO.	NOTE
R1	RJ	Jan.2005-	SRS	117	
R2	RC	Dec.2003-	SRS	117	
IMPREZA	GC/GF	Nov.1992-Sep.1997		107	
			SRS	112	Note8
		Sep.1997-		107	
			SRS	114	Note8
		Sep.1999-	Single SRS	115	Note8
	Dual SRS		114	Note8	
	GD/GG	Aug.2000-Oct.2002		107	
			SRS	115	Note3
		Nov.2002-	SRS	116	Note3.8
		Jun.2005-May.2007	SRS	116	Note3
GH /GR	Jun.2007-	SRS	119	Note7	
VIVIO BISTRO	KK/KW3/4	Mar.1992-		109	
			SRS	109	
SVX	CXD/W	Sep.1991-1996	ACC	110	Note6
			ACC/SRS	111	Note6
EXIGA	YA	Jun.2008-	SRS	119	Note7
SAMBAR CLASSIC	K70/80	Nov.1979-Feb.1990		102	
	KS/KV/TV/TT	Feb.1990-Jan.1999		109	
	TV/TT/TW	Feb.1999-	SRS	N/A	
JUSTY	KA	1984-		102	
STELLA	RN1/2	Jun.2006-	SRS	117	Note*
DIAS	TV/TW	Aug.2001-		N/A	
DOMINGO	KJ	1983-Jun.1994		102	
	FA7/8	Jul.1994-		109	
TRAVIQ	XM	Aug.2001-	SRS	N/A	
FORESTER	SF	Feb.1997-Jan.2002		107	
			ACC/SRS	113	
			Single SRS	112	Note8
			Dual SRS	114	Note8
	SG	Feb.2002-Sep.2004	SRS	115	Note3.8
		Jan.2005-Nov.2007	SRS	116	
SH	Dec.2007-	SRS	119	Note*.7	
PLEO NESTA	RA/RV	Oct.1998-		109	Note1
			SRS	N/A	
	RA1/2	Jun.1999-		N/A	
			SRS	N/A	

*Note: Regardless of the make and model of the vehicle, there are cases that compatible product number is different among the same model with the same year, because of the variation of the factory parts. Before installing this product, please compare the back of your steering wheel and the configuration of the boss kit, and see if they fit. Also, for the air bag indicator, some of the vehicles cannot be lighted off, or even if it could, it may light on later.

[SUBARU]

MODEL	CHASSIS CODE	YEAR	ACCESSORY	PRODUCT NO.	NOTE
REX	K24	-1986		102	
	KNM/KH1/2	Jun.1989-Feb.1990		104	
	KH3/4	Mar.1990-Feb.1992		104	
LEONE	AB	1979-1984		102	
	AA/AL	1984-		103	
			ACC	106	
LEONE VAN (NISSAN AD VAN)	FV	1989-1993		602	Note5
		1994-		620	Note5
			SRS	623	Note4
LEGACY B4	BC/BF	1989-Sep.1993		107	Note1
			ACC	108	
	BD/BG	Oct.1993-May.1996 (Pre-facelift model)		107	Note1
			ACC	108	
			ACC/SRS	111	
		Jun.1996-Jun.1998 (Post-facelift model)		107	Note1
			ACC	108	Note2
			Single SRS	112	Note8
			Dual SRS	114	Note8
		ACC/SRS	113		
	BH/BE	Jun.1998-	SRS	115	Note3
	BP/BL	May.2003-Apr.2006	SRS/ACC	116	Note3.7.9
		May.2006-	SRS	119	Note7.11

*Note: Regardless of the make and model of the vehicle, there are cases that compatible product number is different among the same model with the same year, because of the variation of the factory parts. Before installing this product, please compare the back of your steering wheel and the configuration of the boss kit, and see if they fit. Also, for the air bag indicator, some of the vehicles cannot be lighted off, or even if it could, it may light on later.

[SUBARU]

Regardless of the make and model of the vehicle, there are cases that compatible product number is different among the same model with the same year, because of the variation of the factory parts. Before installing this product, please compare the back of your steering wheel and the configuration of the boss kit, and see if they fit. Also, for the air bag indicator, some of the vehicles cannot be lighted off, or even if it could, it may light on later.

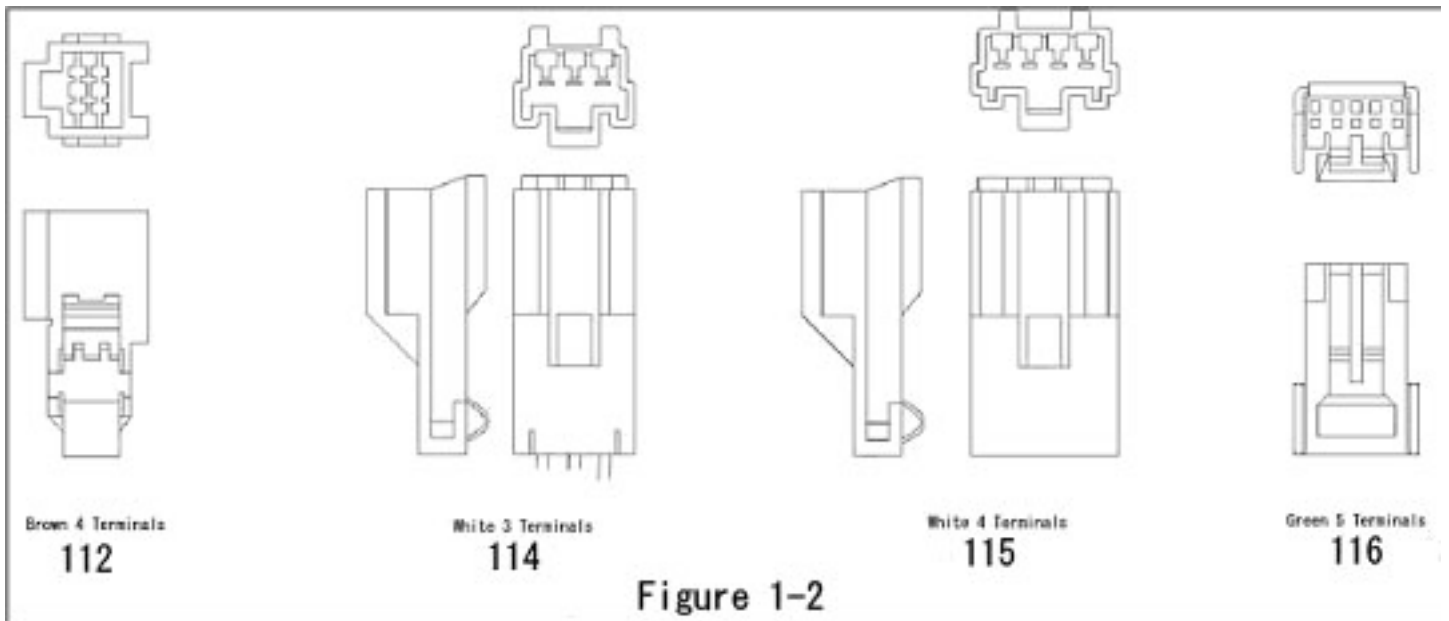
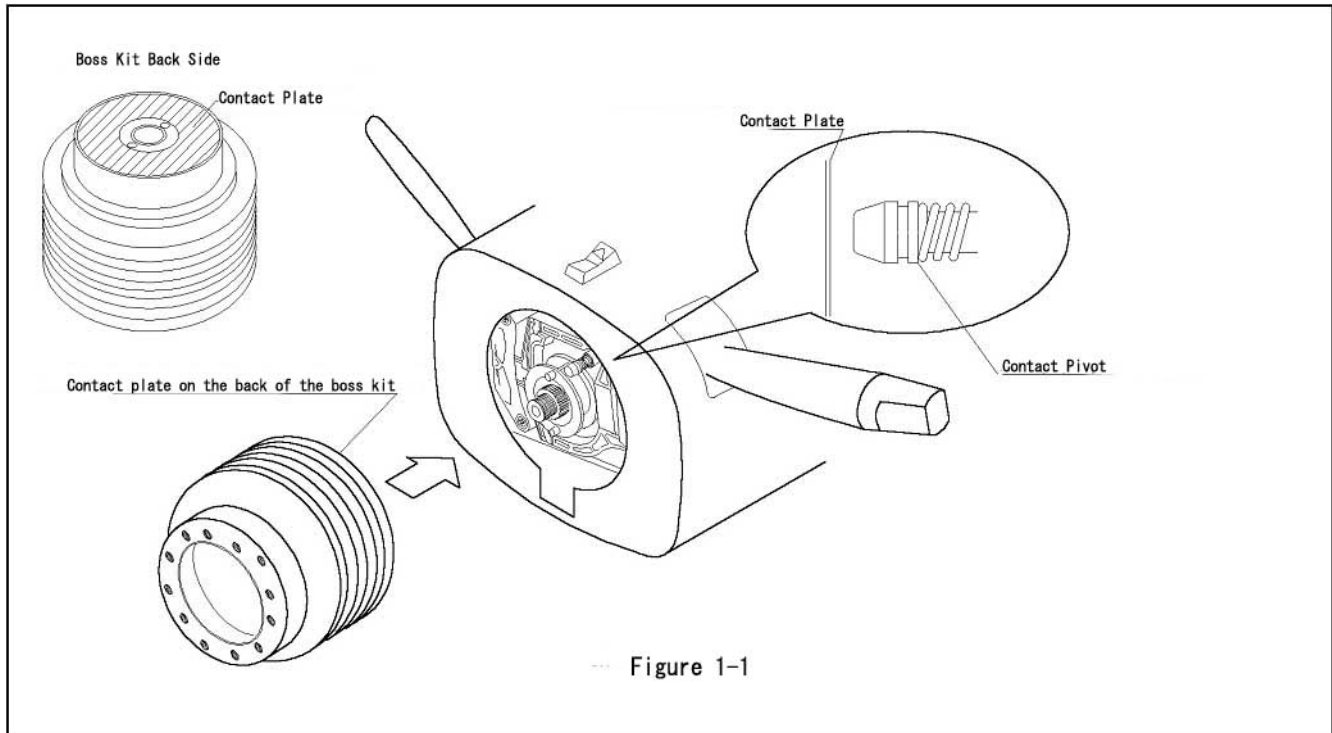
•We strongly recommend requesting the installation to professionals.

- Note* The compatibility is for the vehicle made before April 2009. Please inquiry us for vehicles made after April 2009.
- Note1 If the horn contact pivot on the car side over-hits the contact plate on the boss kit side, please stop the installation. (Figure1-1)
- Note2 There is no ACC cancel switch on the assembled horn button. Please step on the brake to cancel the ACC function.
- Note3 The sports shift on the factory steering wheel will be disabled.
- Note4 Some compatible boss kit has been changed to #629. Please confirm the shape of the bolt tightened on the airbag. (Figure 6-2)
- Note5 Boss Kit. #602 will be used for some vehicles. Please confirm the configuration of the winkle cancel on the factory steering wheel.
[Return pin on the steering side= #602 Return pin on the car side= #620 (Figure 6-3)]
- Note6 The boss kit cannot be installed on the vehicle with radio operation button.
- Note7 All the functions on the steering except the horn will be disabled.
- Note8 The configuration of the horn coupler may be different on some vehicles. Please confirm the configuration of the horn coupler. (Figure 1-2)
- Brown 4 terminals coupler=#112 White 3 terminals coupler=#114
White 4 terminals coupler=#115 Green 5 terminals coupler=#116
- Note9 Additional U-Turn Harness is necessary for the dual airbag.
- Note11 If the factory steering wheel is released, the switches on the steering wheel will be as following.
Si-DRIVE will only be operated by console.
Multi Information Display, Paddle Shift. Cruise Control and Audio Operation Button will not be operated.

Equipment Explanation

ACC	Automatic Cruise Control
SRS	Air bag
Dual Airbag	There are two couplers in the airbag module.

*Note: Regardless of the make and model of the vehicle, there are cases that compatible product number is different among the same model with the same year, because of the variation of the factory parts. Before installing this product, please compare the back of your steering wheel and the configuration of the boss kit, and see if they fit. Also, for the air bag indicator, some of the vehicles cannot be lighted off, or even if it could, it may light on later.



*Note: Regardless of the make and model of the vehicle, there are cases that compatible product number is different among the same model with the same year, because of the variation of the factory parts. Before installing this product, please compare the back of your steering wheel and the configuration of the boss kit, and see if they fit. Also, for the air bag indicator, some of the vehicles cannot be lighted off, or even if it could, it may light on later.

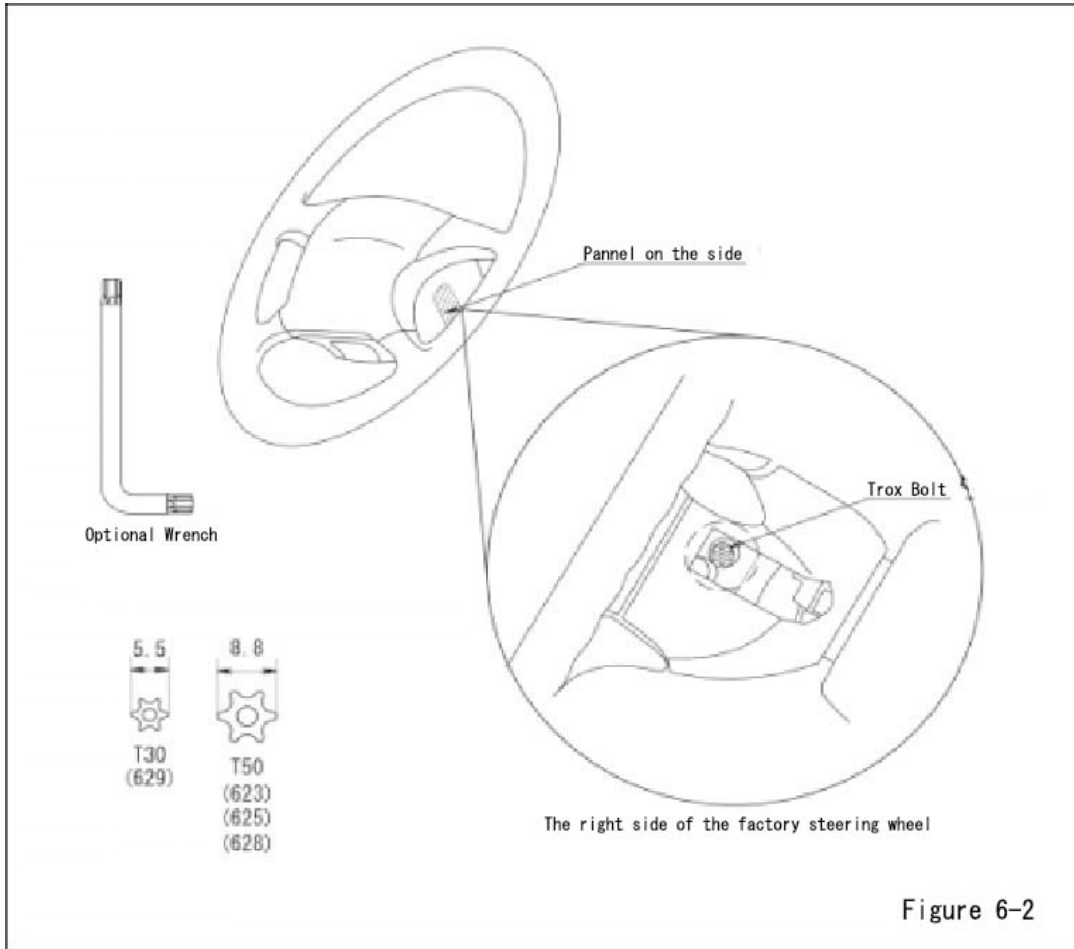


Figure 6-2

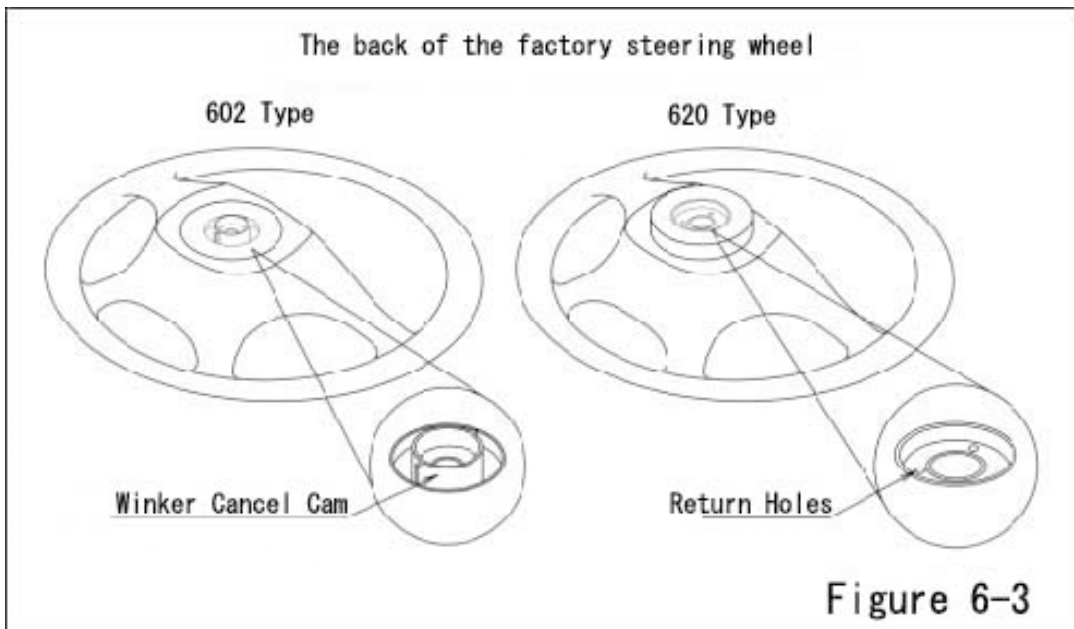


Figure 6-3

*Note: Regardless of the make and model of the vehicle, there are cases that compatible product number is different among the same model with the same year, because of the variation of the factory parts. Before installing this product, please compare the back of your steering wheel and the configuration of the boss kit, and see if they fit. Also, for the air bag indicator, some of the vehicles cannot be lighted off, or even if it could, it may light on later.