

[TOYOTA]

| MODEL | CHASSIS CODE | YEAR | ACCESSORY | PRODUCT NO. | NOTE |
|---------------------|----------------|-------------------|-------------------------------|-------------|---------------|
| ISIS | 10 | Sep.2004- | SRS | 539 | Note7 |
| ALLION | 240 | Dec.2001-Oct.2003 | SRS | 537 | Note7 |
| | 260 | Jun.2007- | SRS | 540 | Note19 |
| ARISTO | S145 S147 | Oct.1991-Jul.1997 | Horn wiring (Bullet Terminal) | 534 | Note13 |
| | | | Horn wiring (Coupler Type) | 532 | Note12 |
| | | | ACC | 533 | |
| | | | SRS (Mechanical) | 534 | Note10.13 |
| | | | SRS (Electrical) | 535 | Note10 |
| | | | ACC/SRS (Electrical) | 536 | Note9.10 |
| | S160 S161 | Aug.1997- | SRS (Mechanical) | 534 | Note7.8.10.13 |
| | | | SRS (Electrical) | 535 | Note7.8.10 |
| | | | ACC/SRS (Electrical) | 535 | Note7.9.10 |
| ALTEZZA (GITA) | XE10 | Oct.1998- | SRS | 535 | Note1.18 |
| AVALON | CX10 | Jun.1995- | SRS (Mechanical) | 534 | Note10.13 |
| | | | SRS (Electrical) | 535 | Note10 |
| | | | ACC/SRS (Electrical) | 536 | Note9.10 |
| AVENSIS | T250 | Oct.2003- | SRS | TBD | |
| ALPHARD VELLFIRE | H10 | May.2002-Mar.2004 | SRS | 539 | Note7 |
| | | Apr.2004-Apr.2008 | SRS | 539 | Note7 |
| | H20 | May.2008- | SRS | 540 | Note*.7.19 |
| IQ | J10 | Nov.2008- | SRS | 540 | |
| IST | NCP60 | May.2002-Mar.2003 | SRS | 537 | |
| | | Apr.2003- | SRS | 539 | |
| | 110 | Jul.2007- | SRS | 540 | Note*.7 |
| IPSUM | SXM10 | May.1996- | | 534 | Note13 |
| | | | SRS (Mechanical) | 534 | Note10.13 |
| | | | SRS (Electrical) | 535 | Note10 |
| | ACM20 | May.2001-Sep.2003 | SRS | 537 | Note7 |
| | | | Oct.2003- | SRS | 539 |
| WINDOM | VCV10 MCV20 | Oct.1991- | Horn wiring (Bullet Terminal) | 534 | Note12.13 |
| | | | Horn wiring (Coupler Type) | 532 | Note12 |
| | | | ACC | 533 | |
| | | | SRS (Mechanical) | 534 | Note10.13 |
| | | | SRS (Electrical) | 535 | Note10 |
| | | | ACC/SRS (Electrical) | 536 | Note9.10 |
| | MCV30 | Aug.2001- | SRS | 539 | Note7 |
| | WISH | 10 | Jan.2003-Aug.2005 | SRS | 539 |
| Sep.2005-Mar.2008 | | | SRS | 539 | Note7 |
| WILL VI | NCP19 | Jan.2000- | SRS | 537 | Note7.23 |
| WILL VS | E120 | Dec.2002- | SRS | 537 | Note7.23 |

***Note:** Regardless of the make and model of the vehicle, there are cases that compatible product number is different among the same model with the same year, because of the variation of the factory parts. Before installing this product, please compare the back of your steering wheel and the configuration of the boss kit, and see if they fit. Also, for the air bag indicator, some of the vehicles cannot be lighted off, or even if it could, it may light on later.

[TOYOTA]

| MODEL | CHASSIS CODE | YEAR | ACCESSORY | PRODUCT NO. | NOTE |
|-----------------------------|--------------|-------------------|-------------------------------|-------------|-------------|
| VANGUARD | A33 | Aug.2007- | SRS | 540 | Note*.7 |
| VITZ | 10 | Jan.1999-Nov.2002 | SRS | 537 | Note20 |
| | | Dec.2002-Jan.2005 | SRS | 539 | |
| | 90 | Feb.2005- | SRS | 540 | Note7.19 |
| VOLTZ | 130 | Aug.2002- | SRS | 539 | Note7.19 |
| ESTIMA | 10 | May.1990-Jul.1996 | | 521 | Note1.13 |
| | 20 | Aug.1996-Sep.1999 | SRS (Mechanical) | 521 | Note1.10.13 |
| | | | SRS (Electrical) | 535 | Note1.10 |
| | 30/40 | Oct.1999-Apr.2003 | SRS | 537 | Note7 |
| | | | ACC/SRS | 537 | Note7 |
| 50 | May.2003- | SRS | 539 | Note7 | |
| LUCIDA EMINA | 10/20 | Jan.1992-Jul.1996 | | 521 | Note1.13 |
| | | Aug.1996-Sep.1999 | SRS (Mechanical) | 521 | Note1.10.13 |
| | | | SRS (Electrical) | 535 | Note.1.10 |
| MR-2 | AW11 | 1984-Nov.1989 | | 521 | Note13 |
| | SW20 | Dec.1989-Nov.1991 | Horn wiring (Bullet Terminal) | 522 | Note12.13 |
| | | | Horn wiring (Coupler Type) | 520 | Note12 |
| | | Dec.1991-Sep.1999 | | 520 | |
| | | | SRS (Mechanical) | 520 | Note10 |
| SRS (Electrical) | 535 | Note10 | | | |
| MR-S | ZZW30 | Oct.1999- | SRS | 537 | Note23 |
| OPA | ZCT10 | May.2000- | SRS | 537 | Note23 |
| AURIS | 150 | Oct.2006- | SRS | 540 | Note7.19 |
| CARINA CARINA ED EXIV | 14-40 | 1975-Jul.1985 | | 522 | Note13 |
| | A60 | 1981-1986 | | 522 | Note13 |
| | 150 | 1984-Aug.1989 | | 522 | Note13 |
| | 160 | 1985-Aug.1989 | | 522 | Note13 |
| | | | ACC | 514 | |
| | 180 | Sep.1989-Sep.1993 | | 522 | Note13 |
| | 190 | Aug.1992-Aug.1996 | | 520 | |
| | 200 | Oct.1993-Jul.1996 | Horn wiring (Bullet Terminal) | 534 | Note12.13 |
| | | | Horn wiring (Coupler Type) | 520 | Note12 |
| 210 | Aug.1996- | | 534 | Note13 | |
| | | SRS (Mechanical) | 534 | Note10.13 | |
| SRS (Electrical) | 535 | Note10 | | | |
| COROLLA FX | 80 | 1985-1988 | | 521 | Note13 |
| | 90 | 1988-Mar.1992 | | 521 | Note13 |
| | 100 | Mar.1992-Sep.1994 | | 521 | Note13 |

***Note:** Regardless of the make and model of the vehicle, there are cases that compatible product number is different among the same model with the same year, because of the variation of the factory parts. Before installing this product, please compare the back of your steering wheel and the configuration of the boss kit, and see if they fit. Also, for the air bag indicator, some of the vehicles cannot be lighted off, or even if it could, it may light on later.

[TOYOTA]

| MODEL | CHASSIS CODE | YEAR | ACCESSORY | PRODUCT NO. | NOTE | |
|--|----------------|-------------------|-------------------------------|-------------|-----------|------------|
| CARIB | 25 | 1982-1987 | | 521 | Note13 | |
| | 92 | 1987-1988 | | 521 | Note13 | |
| | 95 | 1988-Aug.1995 | | 521 | Note13 | |
| | 110 | Sep.1995- | | | 534 | Note13 |
| | | | SRS (Mechanical) | 534 | Note10.13 | |
| | | | SRS (Electrical) | 535 | Note10 | |
| COROLLA SPRINTER LEVIN TRUENO CERES MARINO WAGON VAN FIELDER SPACIO RUNX ALLEX AXIO RUMION | 30/40 | 1974-1976 | | 522 | Note13 | |
| | 40/50 | 1976-1979 | | 522 | Note13 | |
| | 60/70 | 1979-1983 | | 522 | Note13 | |
| | 80 | 1983-1987 | | 521 | Note1.13 | |
| | 90 | 1987-Jun.1991 | | 522 | Note13 | |
| | 100 | Jul.1991-May.1995 | Horn wiring (Bullet Terminal) | 522 | Note12.13 | |
| | | | Horn wiring (Coupler Type) | 527 | Note12 | |
| | 110 | Jun.1995- | | 534 | Note13 | |
| | | | SRS (Mechanical) | 534 | Note10.13 | |
| | | | SRS (Electrical) | 535 | Note10 | |
| | 120 | Sep.2000-Aug.2002 | SRS | 537 | Note20 | |
| | | Sep.2002- | SRS | 539 | | |
| | | 140/150 | Oct.2006- | SRS | 540 | Note*.7.19 |
| | CAMRY VISTA | TA40 | 1980-1986 | | 522 | Note13 |
| V10 | | 1982-1986 | | 522 | Note13 | |
| V20 | | Aug.1986-Jun.1990 | | 522 | Note13 | |
| V30 | | Jul.1990-Sep.1994 | Horn wiring (Bullet Terminal) | 534 | Note12.13 | |
| | | | Horn wiring (Coupler Type) | 520 | Note12 | |
| V40 | | Sep.1995-Jun.1998 | | 534 | Note13 | |
| | | | SRS (Mechanical) | 534 | Note10.13 | |
| | | | SRS (Electrical) | 535 | Note10 | |
| V50/M20 | | Jul.1998- | SRS | 537 | Note23 | |
| ACV40 | Jan.2006- | SRS | 540 | Note*.19 | | |
| CAMRY GRACIA | V20 | Jan.1996- | | 534 | Note13 | |
| | | | SRS (Mechanical) | 534 | Note10.13 | |
| | | | SRS (Electrical) | 535 | Note10 | |
| CALDINA | ST190 | Nov.1992- | | 534 | Note13 | |
| | | | SRS (Mechanical) | 534 | Note10.13 | |
| | | | SRS (Electrical) | 535 | Note10 | |
| | ST210 | Sep.1997-Aug.2002 | SRS | 535 | | |
| | ST240 | Sep.2002- | SRS | 539 | Note7 | |

***Note:** Regardless of the make and model of the vehicle, there are cases that compatible product number is different among the same model with the same year, because of the variation of the factory parts. Before installing this product, please compare the back of your steering wheel and the configuration of the boss kit, and see if they fit. Also, for the air bag indicator, some of the vehicles cannot be lighted off, or even if it could, it may light on later.

[TOYOTA]

| MODEL | CHASSIS CODE | YEAR | ACCESSORY | PRODUCT NO. | NOTE |
|-----------------------------|----------------------------|-------------------|-------------------------------|---------------|----------------|
| CURREN | 200 | Feb.1994-Sep.1995 | Horn wiring (Bullet Terminal) | 534 | Note12.13 |
| | | | Horn wiring (Coupler Type) | 532 | Note12 |
| | | Oct.1995- | | 534 | Note13 |
| | | | SRS (Mechanical) | 534 | Note10.13 |
| | | | SRS (Electrical) | 535 | Note10 |
| GAIA | M10 | May.1998- | SRS | 535 | |
| CAMI | 100/120 | May.1999- | | 707 | |
| | | | SRS | 708 | |
| CAVALIER | TJC00 | Jun.1995- | SRS | N/A | |
| KLUGER V | CU20 | Dec.2000- | SRS | 535 | |
| | | | ACC/SRS | 535 | Note7 |
| | | Oct.2005- | SRS | 539 | Note7 |
| CROWN MAJESTA ATHLETE | 80/100 | 1974-1980 | | 522 | Note13.21 |
| | 110 | 1981-1983 | | 522 | Note13.21 |
| | 120 | 1983-1987 | | 522 | Note13.21 |
| | | | ACC | 511 | Note21 |
| | 130 Pre-facelift model | 1988-Jul.1989 | Horn wiring (Bullet Terminal) | 534 | Note12.13.21 |
| | | | Horn wiring (Coupler Type) | 518 | Note11.12.21 |
| | | | ACC | 517 | Note21 |
| | | | Optional SRS | 535 | Note4.15.21 |
| | 130 Post-facelift model | Aug.1989-Sep.1991 | Horn wiring (Bullet Terminal) | 534 | Note12.13.21 |
| | | | Horn wiring (Coupler Type) | 518 | Note11.12.21 |
| | | | ACC | 525 | Note14.21 |
| | | | TRC/ACC | 523 | Note21 |
| | 130 SEDAN | Oct.1991-Jul.1995 | Horn wiring (Bullet Terminal) | 534 | Note12.13.21 |
| | | | Horn wiring (Coupler Type) | 528 | Note11.12.21 |
| | | | ACC | 526 | Note21 |
| | | | Optional SRS | 535 | Note4.15.21 |
| | 140 HARDTOP | Oct.1991-Jul.1995 | Horn wiring (Bullet Terminal) | 534 | Note12.13.21 |
| | | | Horn wiring (Coupler Type) | 528 | Note12.21 |
| | | | ACC | 526 | Note21 |
| | | | Optional SRS | 535 | Note4.15.21 |
| | 150 | Aug.1995- | | 534 | Note5.13.21 |
| | | | SRS (Mechanical) | 534 | Note5.10.13.21 |
| | | | SRS (Electrical) | 535 | Note5.10.21 |
| ACC/SRS(Electrical) | | | 536 | Note5.9.10.21 | |
| 170 | Sep.1999- | SRS | 537 | Note7.21 | |
| | | ACC/SRS | 537 | Note7.21 | |
| 180 | Dec.2003-Jan.2008 | SRS | 540 | Note7 | |
| 200 | Feb.2008- | SRS | 540 | Note*.7.19 | |

***Note:** Regardless of the make and model of the vehicle, there are cases that compatible product number is different among the same model with the same year, because of the variation of the factory parts. Before installing this product, please compare the back of your steering wheel and the configuration of the boss kit, and see if they fit. Also, for the air bag indicator, some of the vehicles cannot be lighted off, or even if it could, it may light on later.

[TOYOTA]

| MODEL | CHASSIS CODE | YEAR | ACCESSORY | PRODUCT NO. | NOTE |
|-------------------------------|--------------|-------------------|-------------------------------|-------------|---------------|
| GRANVIA | 10 16 | Sep.1995-Apr.2001 | | 534 | Note13 |
| | | | SRS (Mechanical) | 534 | Note10.13 |
| | | | SRS (Electrical) | 535 | Note10 |
| | | | ACC/SRS(Electrical) | 536 | Note9.10 |
| CORSA TERCEL COROLLA II | AL10 | 1978-1981 | | 522 | Note13 |
| | AL20 | 1982-1986 | | 521 | Note13 |
| | EL30 | 1986-Sep.1990 | | 521 | Note13 |
| | EL40 | Sep.1990-Sep.1994 | | 521 | Note13 |
| | 50 | Oct.1994- | | 534 | Note13 |
| | | | SRS (Mechanical) | 534 | Note10.13 |
| | | | SRS (Electrical) | 535 | Note10 |
| CORONA | 130 | 1973-1984 | | 522 | Note13 |
| | 140 | 1982-1986 | | 522 | Note13 |
| | 150 | 1985-1987 | | 522 | Note13 |
| | 160 | 1987-Jan.1992 | | 522 | Note13 |
| | 190 | Feb.1992-Dec.1995 | | 534 | Note13 |
| CORONA PREMIO | 210 | Jan.1996-Nov.2001 | | 534 | Note13 |
| | | | SRS (Mechanical) | 534 | Note10.13 |
| | | | SRS (Electrical) | 535 | Note10 |
| COMFORT | XS11 | Dec.1995- | SRS | 535 | |
| CYNOS | L40 | Mar.1991-Aug.1995 | Horn wiring (Bullet Terminal) | 522 | Note12.13 |
| | | | Horn wiring (Coupler Type) | 520 | Note12 |
| | L50 | Sep.1995- | | 534 | Note13 |
| | | | SRS (Mechanical) | 534 | Note10.13 |
| | | | SRS (Electrical) | 535 | Note10 |
| SUCCEED PROBOX | 58G/59G | Jul.2002- | SRS | 539 | |
| SIENTA | 81G/85G | Sep.2003- | SRS | 540 | Note7.19 |
| SUPRA | GA70 | 1986-Apr.1993 | | 522 | Note13 |
| | | 1986-Jul.1988 | ACC Pre-facelift model | 514 | Note2 |
| | | Aug.1988-Apr.1993 | ACC Post-facelift model | 519 | Note3 |
| | JZA80 | May.1993- | Horn wiring (Bullet Terminal) | 534 | Note12.13 |
| | | | Horn wiring (Coupler Type) | 532 | Note12 |
| | | | ACC | 533 | |
| | | | SRS (Mechanical) | 534 | Note10.13 |
| | | | SRS (Electrical) | 535 | Note10 |
| | | | ACC/SRS (Electrical) | 536 | Note8.9.10.17 |

***Note:** Regardless of the make and model of the vehicle, there are cases that compatible product number is different among the same model with the same year, because of the variation of the factory parts. Before installing this product, please compare the back of your steering wheel and the configuration of the boss kit, and see if they fit. Also, for the air bag indicator, some of the vehicles cannot be lighted off, or even if it could, it may light on later.

[TOYOTA]

| MODEL | CHASIS CODE | YEAR | ACCESSORY | PRODUCT NO. | NOTE | |
|------------------|-------------|-------------------|-------------------------------|-------------|-------------|--------|
| STARLET | P60 | 1982-May.1982 | Pre-facelift model | 521 | Note13 | |
| | | 1982-1984 | Post-facelift model | 521 | Note13 | |
| | P70 | 1984-Dec.1989 | | 521 | Note13 | |
| | P80 | Jan.1990-Dec.1995 | | 521 | Note13 | |
| | P90 | Jan.1996- | | | 534 | Note13 |
| | | | SRS (Mechanical) | 534 | Note10.13 | |
| SRS (Electrical) | | | 535 | Note10 | | |
| SPARKY | S221/231 | Sep.2000- | SRS | 709 | | |
| CELICA | TA40 | 1970- | | 522 | Note13 | |
| | TA60 | | | 522 | Note13 | |
| | 160 | -Sep.1990 | | 522 | Note13 | |
| | | | ACC | 514 | | |
| | 180 | Sep.1990-Sep.1993 | Horn wiring (Bullet Terminal) | 522 | Note12.13 | |
| | | | Horn wiring (Coupler Type) | 520 | Note12 | |
| | 200 | Oct.1993- | | 534 | Note13 | |
| | | | SRS (Mechanical) | 534 | Note10.13 | |
| SRS (Electrical) | | | 535 | Note10 | | |
| 230 | Sep.1999- | SRS | 537 | Note7.23 | | |
| SERA | XV10 | Feb.1990 | | 521 | Note13 | |
| CELSIOR | F10 | 1989-Sep.1994 | ACC/SRS | 536 | Note9 | |
| | F20 | Oct.1994- | ACC/SRS | 536 | Note9.17 | |
| | F30 | Aug.2000- | ACC/SRS | N/A | | |
| SCEPTER WAGON | V10 | 1992-Dec.1996 | Horn wiring (Bullet Terminal) | 534 | Note12.13 | |
| | | | Horn wiring (Coupler Type) | 532 | Note12 | |
| | | | ACC | 533 | | |
| | | | SRS (Mechanical) | 534 | Note10.13 | |
| | | | SRS (Electrical) | 535 | Note10 | |
| | | | ACC/SRS (Electrical) | 536 | Note9.10 | |
| SOARER | 10 | 1981-1985 | | 522 | Note13 | |
| | | | ACC | 511 | | |
| | 20 | 1986-Apr.1991 | | 522 | Note13 | |
| | | | ACC | 516 | Note4 | |
| | 30 | May.1991- | Horn wiring (Bullet Terminal) | 534 | Note12.13 | |
| | | | Horn wiring (Coupler Type) | 532 | Note12 | |
| | | | ACC | 533 | | |
| | | | SRS (Mechanical) | 534 | Note10.13 | |
| | | | SRS (Electrical) | 535 | Note10 | |
| | | | ACC/SRS (Electrical) | 536 | Note9.10.17 | |
| 40 | Apr.2001- | ACC/SRS | N/A | | | |
| DELIBOY | XC10V | Jul.1989- | | 522 | Note13 | |

***Note:** Regardless of the make and model of the vehicle, there are cases that compatible product number is different among the same model with the same year, because of the variation of the factory parts. Before installing this product, please compare the back of your steering wheel and the configuration of the boss kit, and see if they fit. Also, for the air bag indicator, some of the vehicles cannot be lighted off, or even if it could, it may light on later.

[TOYOTA]

| MODEL | CHASSIS CODE | YEAR | ACCESSORY | PRODUCT NO. | NOTE |
|--------------------------------|--------------|-------------------|-------------------------------|-------------|-------------|
| DUET | M100 | Apr.1998- | SRS | 708 | |
| | | Apr.1999- | SRS | 709 | |
| NADIA | XN10 | Aug.1998- | SRS | 537 | |
| HILUX SURF | N30 | 1978-Mar.1989 | | 522 | Note13 |
| | N100 | Apr.1989- | | 522 | Note13 |
| | N130 | May.1989-Oct.1995 | | 534 | Note13 |
| | | | ACC | 524 | |
| | N180 | Dec.1995-Oct.2002 | | 534 | Note13 |
| | | | SRS (Mechanical) | 534 | Note10.13 |
| | | | SRS (Electrical) | 535 | Note10.18 |
| N210 | Nov.2002- | SRS | 539 | Note19 | |
| HARRIER | CU10 | Dec.1997-Jan.2003 | SRS | 535 | Note7 |
| | | | ACC/SRS | 536 | Note8.9.17 |
| | 30 | Feb.2003- | SRS | 540 | Note7.19 |
| PASSO | 10 | Jun.2004- | SRS | 539 | Note7 |
| PASSO SETTE | M500/510 | Dec.2008- | SRS | 541 | Note*.7 |
| HIACE VAN | 100 | | | 534 | Note13.16 |
| | | | SRS | 535 | Note18 |
| HIACE REGIUS GRAND HIACE | 30/80 | 1979-Jul.1989 | | 521 | Note13 |
| | | Aug.1989-Sep.1993 | Horn wiring (Bullet Terminal) | 521 | Note12.13 |
| | | | Horn wiring (Coupler Type) | 520 | Note12 |
| | 100 | Oct.1993-Jul.1996 | Horn wiring (Bullet Terminal) | 534 | Note12.13 |
| | | | Horn wiring (Coupler Type) | 532 | Note12 |
| | | | ACC | 533 | |
| | 110 | Aug.1996-Jul.2004 | | 534 | Note13 |
| | | | SRS (Mechanical) | 534 | Note10.13 |
| | | | SRS (Electrical) | 535 | Note10.18 |
| | | | ACC/SRS (Electrical) | 536 | Note9.10.18 |
| | 200 | Aug.2004- | | 534 | Note13 |
| SRS | | | 539 | Note7 | |
| bB | NCP30 | Feb.2000-Mar.2003 | SRS | 537 | Note7.20 |
| | | Apr.2003-Nov.2005 | SRS | 539 | |
| | 20 | Dec.2005- | SRS | 539 | Note7 |
| VISTA ALDEO | 50 | Jul.1998- | SRS | 537 | Note7.23 |
| PLATZ | NCP10 | Sep.1999-Jul.2002 | SRS | 537 | Note23 |
| | | Aug.2002- | SRS | 539 | Note7 |
| PRIUS | 10 | Dec.1997-Aug.2003 | SRS | 535 | |
| | 20 | Sep.2003- | SRS | 540 | Note7.19 |
| PREMIO | 240 | Dec.2001- | SRS | 537 | Note7 |
| | 260 | Jun.2007- | SRS | 540 | Note19 |

***Note:** Regardless of the make and model of the vehicle, there are cases that compatible product number is different among the same model with the same year, because of the variation of the factory parts. Before installing this product, please compare the back of your steering wheel and the configuration of the boss kit, and see if they fit. Also, for the air bag indicator, some of the vehicles cannot be lighted off, or even if it could, it may light on later.

[TOYOTA]

| MODEL | CHASSIS CODE | YEAR | ACCESSORY | PRODUCT NO. | NOTE |
|---------------------------------------|--------------|-------------------|-------------------------------|-------------|--------------|
| PROGRES BREVIS | JCG10 | May.1998- | SRS | 537 | Note7.23 |
| | | | ACC/SRS | 537 | Note7.23 |
| BLADE | E150 | Dec.2006- | SRS | 540 | Note7.19 |
| PRONARD | MCX20 | 2000- | SRS | 535 | |
| FUN CARGO | NCP20 | Aug.1999-Jul.2002 | SRS | 537 | Note7.20 |
| | | Aug.2002- | SRS | 539 | Note7 |
| BELTA | 90 | Nov.2005- | SRS | 540 | Note7.19 |
| PORTE | 10 | Jul.2004- | SRS | 539 | Note7 |
| MARKII BLIT | 110 | Jan.2002- | SRS | 537 | Note7 |
| MARKII VAN | 70 | Aug.1989- | Horn wiring (Bullet Terminal) | 534 | Note12.13.16 |
| | | | Horn wiring (Coupler Type) | 532 | Note16 |
| | | | Optional SRS | 535 | Note16 |
| MARKII QUALIS | 100 | Apr.1997-Aug.2002 | | 534 | Note13 |
| | | | SRS (Mechanical) | 534 | Note10.13 |
| | | | SRS (Electrical) | 535 | Note10 |
| | | | ACC/SRS (Electrical) | 536 | Note9.10 |
| MARK X | 120 | | SRS | 540 | Note7.19 |
| MARK X ZIO | 10 | Sep.2007- | SRS | 540 | Note*.7.19 |
| MARKII CHASER CRESTA VEROSSA | 30-50 | 1973-1977 | | 522 | Note13 |
| | 60 | 1977-1984 | | 522 | Note13 |
| | 70 | 1985-1987 | | 522 | Note13 |
| | 80 | 1988-Oct.1992 | Horn wiring (Bullet Terminal) | 522 | Note12.13 |
| | | | Horn wiring (Coupler Type) | 520 | Note12 |
| | 90 | Nov.1992-Aug.1996 | Horn wiring (Bullet Terminal) | 534 | Note12.13 |
| | | | Horn wiring (Coupler Type) | 531 | Note12 |
| | | | ACC | 530 | |
| | | | Optional SRS (Electrical) | 535 | Note4.10.15 |
| | | | Optional SRS (Mechanical) | 534 | Note10.13 |
| | 100 | Sep.1996- | SRS (Mechanical) | 534 | Note10.13 |
| | | | SRS (Electrical) | 535 | Note10.22 |
| | | | ACC/SRS (Electrical) | 536 | Note9.10.22 |
| | 110 | Nov.2000- | SRS | 537 | Note7 |
| ACC/SRS | | | 537 | Note7 | |

***Note:** Regardless of the make and model of the vehicle, there are cases that compatible product number is different among the same model with the same year, because of the variation of the factory parts. Before installing this product, please compare the back of your steering wheel and the configuration of the boss kit, and see if they fit. Also, for the air bag indicator, some of the vehicles cannot be lighted off, or even if it could, it may light on later.

[TOYOTA]

| MODEL | CHASSIS CODE | YEAR | ACCESSORY | PRODUCT NO. | NOTE |
|--|-------------------|-------------------|-------------------------------------|-------------|------------|
| LITE ACE TOWN ACE MASTER ACE NOAH VOXY | 10 | 1978-Jan.1992 | | 521 | Note13 |
| | 20/30 | Jan.1992-Sep.1996 | Horn wiring (Bullet Terminal) | 534 | Note12.13 |
| | | | Horn wiring (Coupler Type) | 529 | Note12 |
| | 30/40/50/60 | Oct.1996- | | 534 | Note13 |
| | | | SRS (Mechanical) | 534 | Note10.13 |
| | | | SRS (Electrical) | 535 | Note10 |
| | | | Apr.1999-Jul.2004 | SRS | 537 |
| | Aug.2004-May.2007 | SRS | 539 | Note7 | |
| 70 | Jun.2007- | SRS | 540 | Note*.7.19 | |
| RAV4 | 10 | May.1994- | | 534 | Note13 |
| | | | SRS (Mechanical) | 534 | Note10.13 |
| | | | SRS (Electrical) | 535 | Note10 |
| | 20 | May.2000-Oct.2005 | SRS | 537 | Note23 |
| 30 | Nov.2005- | SRS | 540 | Note7.19 | |
| RAUM | EXZ10 | Jun.1997-Apr.2003 | | 534 | Note13 |
| | | | SRS (Mechanical) | 534 | Note10.13 |
| | | | SRS (Electrical) | 535 | Note10 |
| | NCZ20/25 | May.2003- | SRS | 539 | Note7 |
| RUSH | 200 | Jan.2006- | SRS | 539 | Note7 |
| RACTIS | 100 | Oct.2005- | SRS | 540 | Note7.19 |
| LAND CRUISER (PRADO) | 40 | -Sep.1981 | | FINISHED | |
| | 60/70 | Sep.1981-Jul.2004 | Horn wiring (Bullet Terminal) | 522 | Note12.13 |
| | | | Horn wiring (Coupler Type) | 532 | Note12 |
| | 80/90 | Oct.1989-Jan.1998 | | 522 | Note13 |
| | | | ACC (Switch on steering wheel side) | 533 | Note3 |
| | | | ACC (Switch on column side) | 532 | Note12 |
| | | | ACC (Switch on column side) | 522 | Note12.13 |
| | | | ACC/SRS | 536 | Note9.17 |
| | | | SRS (Mechanical) | 534 | Note10.13 |
| | | | SRS (Electrical) | 535 | Note7.8.10 |
| | Feb.1998-Aug.2002 | SRS | 535 | Note7.8.10 | |
| | | ACC/SRS | 536 | Note8.9.10 | |
| | 100 | Jan.1998-Aug.2002 | SRS | 537 | Note7 |
| ACC/SRS | | | 537 | Note7 | |
| 100 Post-facelift model | Aug.2002-Jul.2007 | SRS | 539 | Note*.7.19 | |
| 120 | Oct.2002- | SRS | 539 | Note7.19 | |

***Note:** Regardless of the make and model of the vehicle, there are cases that compatible product number is different among the same model with the same year, because of the variation of the factory parts. Before installing this product, please compare the back of your steering wheel and the configuration of the boss kit, and see if they fit. Also, for the air bag indicator, some of the vehicles cannot be lighted off, or even if it could, it may light on later.

[TOYOTA]

Regardless of the make and model of the vehicle, there are cases that compatible product number is different among the same model with the same year, because of the variation of the factory parts. Before installing this product, please compare the back of your steering wheel and the configuration of the boss kit, and see if they fit. Also, for the air bag indicator, some of the vehicles cannot be lighted off, or even if it could, it may light on later.

- We strongly recommend requesting the installation to professionals.

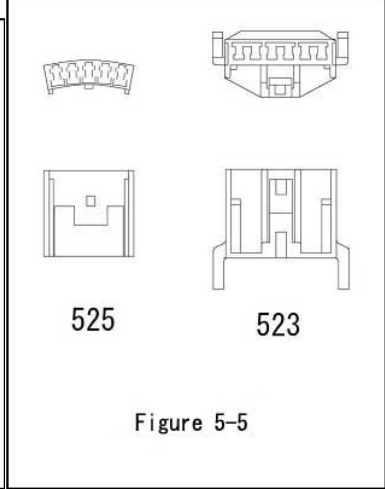
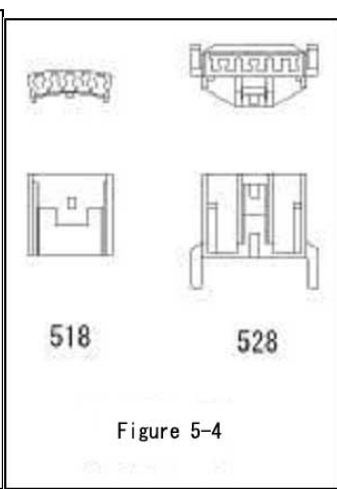
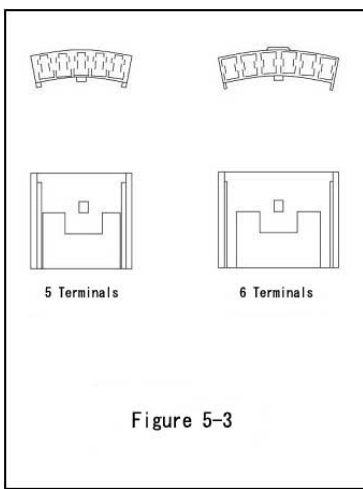
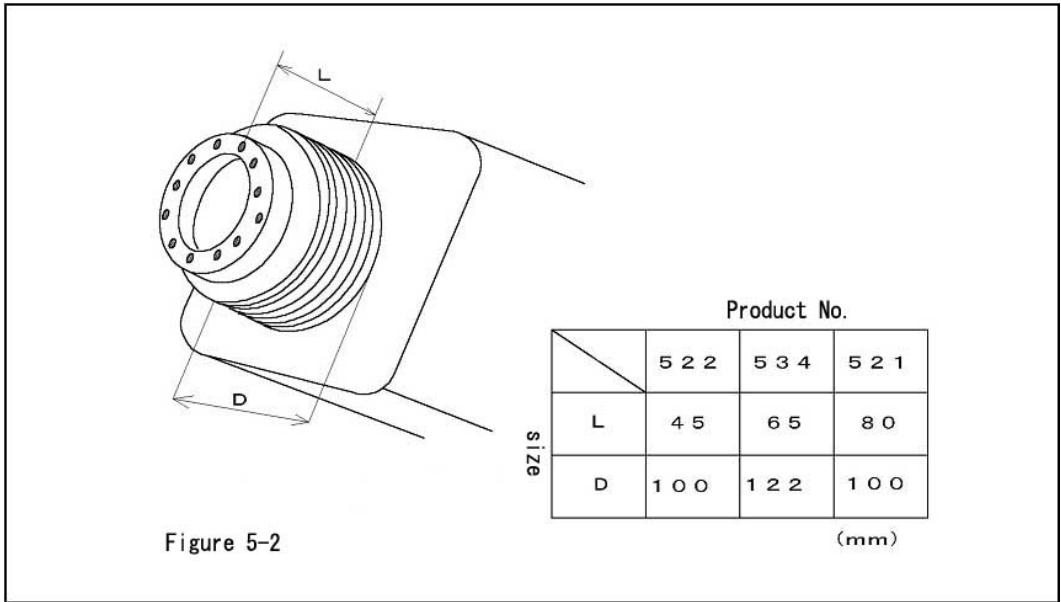
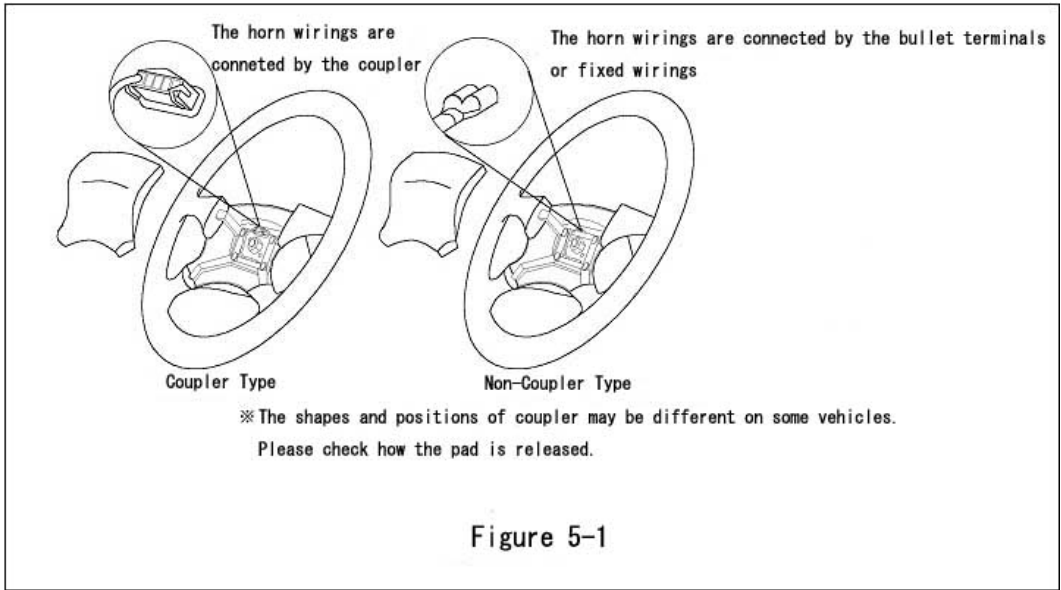
- Note* The compatibility is for the vehicle made before April 2009. Please inquiry us for vehicles made after April 2009.
- Note1 Requires an optional Boss Kit Spacer. (Please choose one from 10, 15, 20, 25 and 30mm)
- Note2 The vehicle that has the ACC main switch on the dashboard.
- Note3 The vehicle that has the ACC main switch on the steering wheel.
- Note4 6-terminal coupler may be used on some vehicles. Please inquire us for details then we will send you the sample coupler. (Figure5-3)
- Note5 The boss kit cannot be installed on MAJESTA 4WD.
- Note7 The functions on steering wheel except the horn cannot be used any more.
- Note8 The steermatic function will be disabled for steermatic-equipped vehicles.
- Note9 Boss Kit, #535 can be installed if the ACC function is unnecessary.
- Note10 Vehicle without SRS indicator in the meter is mechanical; And vehicle with SRS indicator is electrical.
- Note11 Please use boss kit, #528, if the horn coupler is rectangle with 6 terminals. (Figure5-4)
- Note12 The boss kit may be different depending on the configurations of the horn wirings. (Figure5-1)
- Note13 The configurations of installation sides for #521, #522 and #534 are identical. Please choose an appropriate one depending on the length and the diameter of the cover. (Figure5-2)
- Note14 Boss kit, #523 may be used for the vehicles without TRC. Please confirm the coupler configuration. (Figure5-5)
- Note15 If an optional SRS is installed, the configuration of the steering wheel back may be different. Recommends confirming the steering back carefully.
- Note16 The boss kit may not be installed on some vehicles depending on the difference of each vehicle. Please inquire us for details.
- Note17 The ACC function will be disabled on some cars. (Auto Cruise)
- Note18 Some compatible boss kits have been changed to #537. Please confirm the configuration of the factory steering winkle cancellation part. (Figure5-6)
- Note19 An additional U-Turn harness is required for dual stage airbag.
- Note20 The U-Turn harness may be necessary for the cars that have different airbag couplers.
- Note21 The optional Boss Spacer is necessary for telescopic system-equipped vehicle because the horn button interferes the center shaft.
- Note22 If the airbag indicator does not turn off or it relights after turning off with using the dummy harness, please stop the installation and contact us.
- Note23 Some boss kits have been changed to #539.

Equipment Explanation

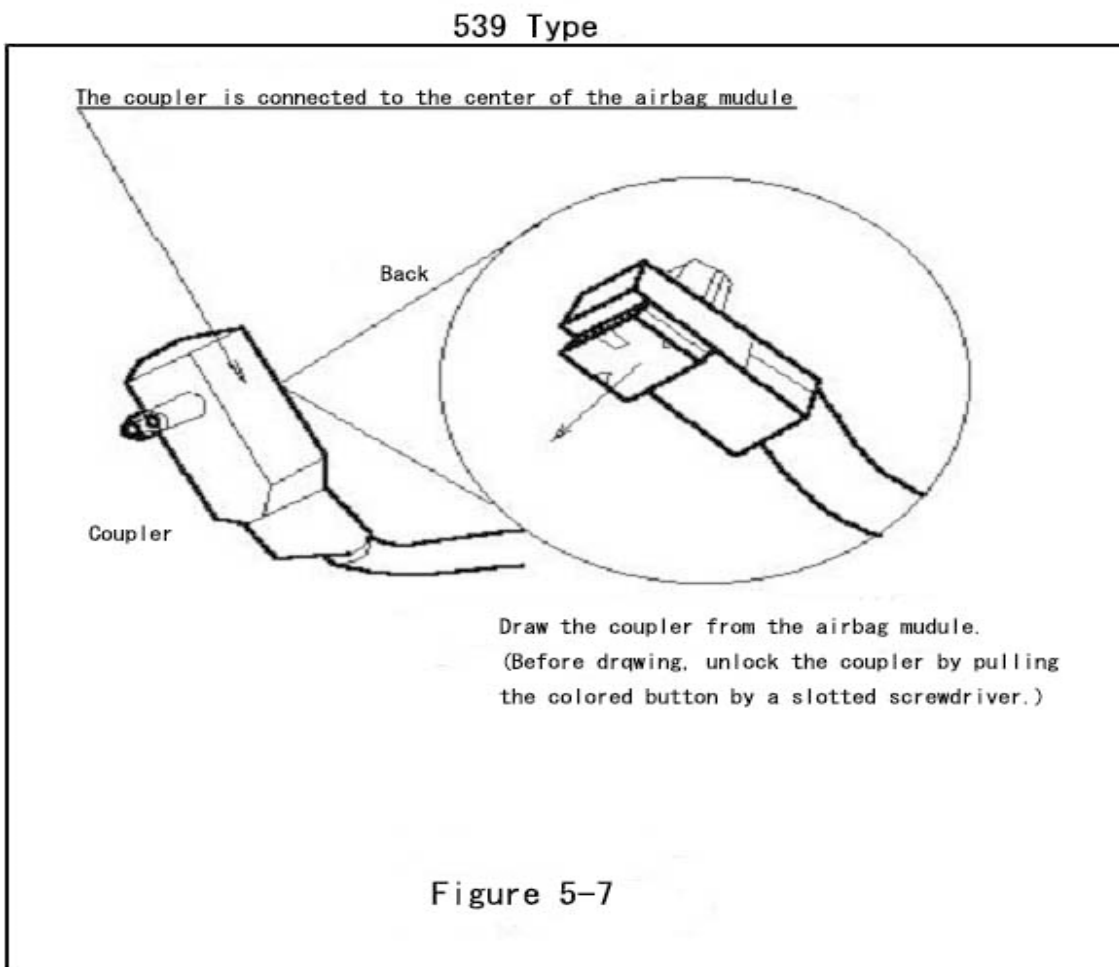
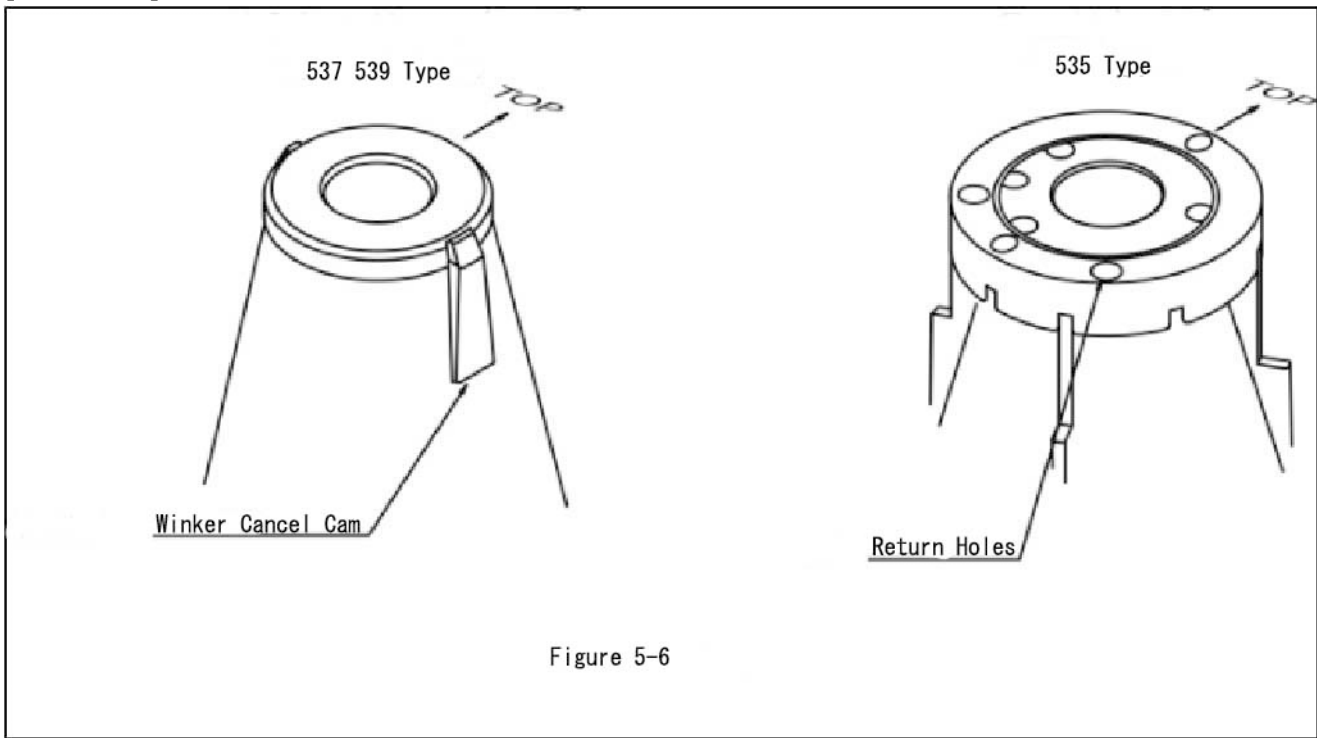
| | |
|-------------------|--|
| ACC | Automatic Cruise Control |
| Telescopic | A device for adjusting the steering back and forth. |
| TRC | Traction Control System |
| SRS | Air bag |
| Steermatic | A device for operating shift change optionally by using the AT shift button on the steering wheel. |
| Dual Stage Airbag | Two couplers are stucked on the airbag module. |
| TEMS | A kind of modulated suspension |

***Note:** Regardless of the make and model of the vehicle, there are cases that compatible product number is different among the same model with the same year, because of the variation of the factory parts. Before installing this product, please compare the back of your steering wheel and the configuration of the boss kit, and see if they fit. Also, for the air bag indicator, some of the vehicles cannot be lighted off, or even if it could, it may light on later.

[TOYOTA]



***Note:** Regardless of the make and model of the vehicle, there are cases that compatible product number is different among the same model with the same year, because of the variation of the factory parts. Before installing this product, please compare the back of your steering wheel and the configuration of the boss kit, and see if they fit. Also, for the air bag indicator, some of the vehicles cannot be lighted off, or even if it could, it may light on later.



***Note:** Regardless of the make and model of the vehicle, there are cases that compatible product number is different among the same model with the same year, because of the variation of the factory parts. Before installing this product, please compare the back of your steering wheel and the configuration of the boss kit, and see if they fit. Also, for the air bag indicator, some of the vehicles cannot be lighted off, or even if it could, it may light on later.